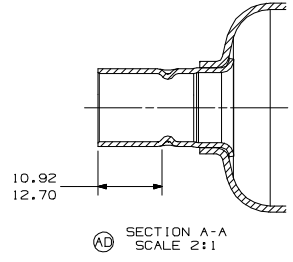
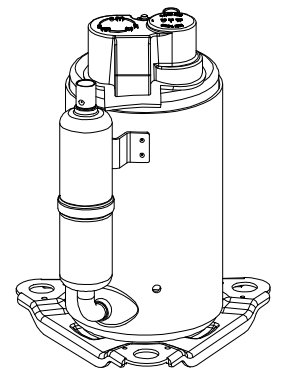
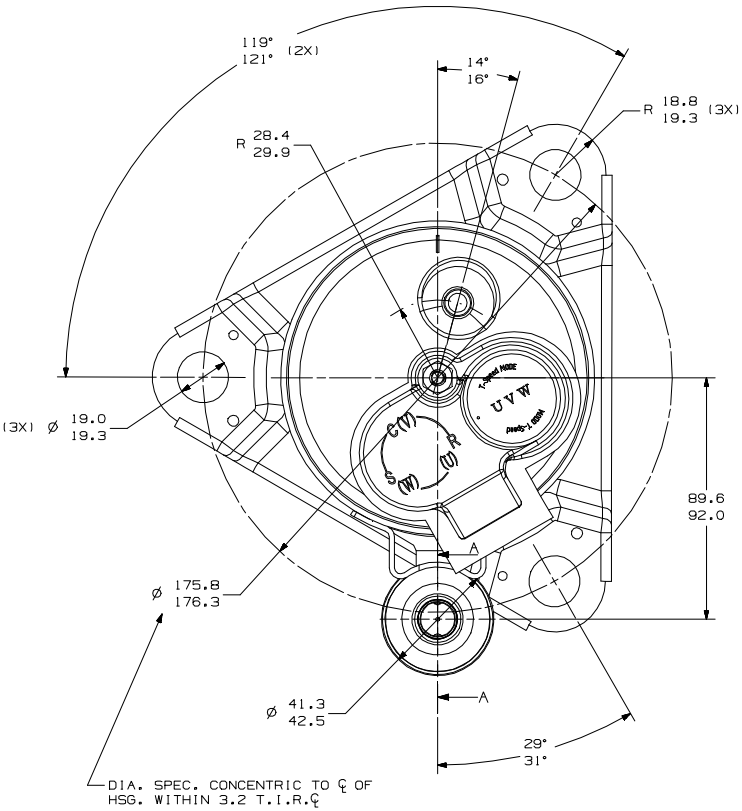
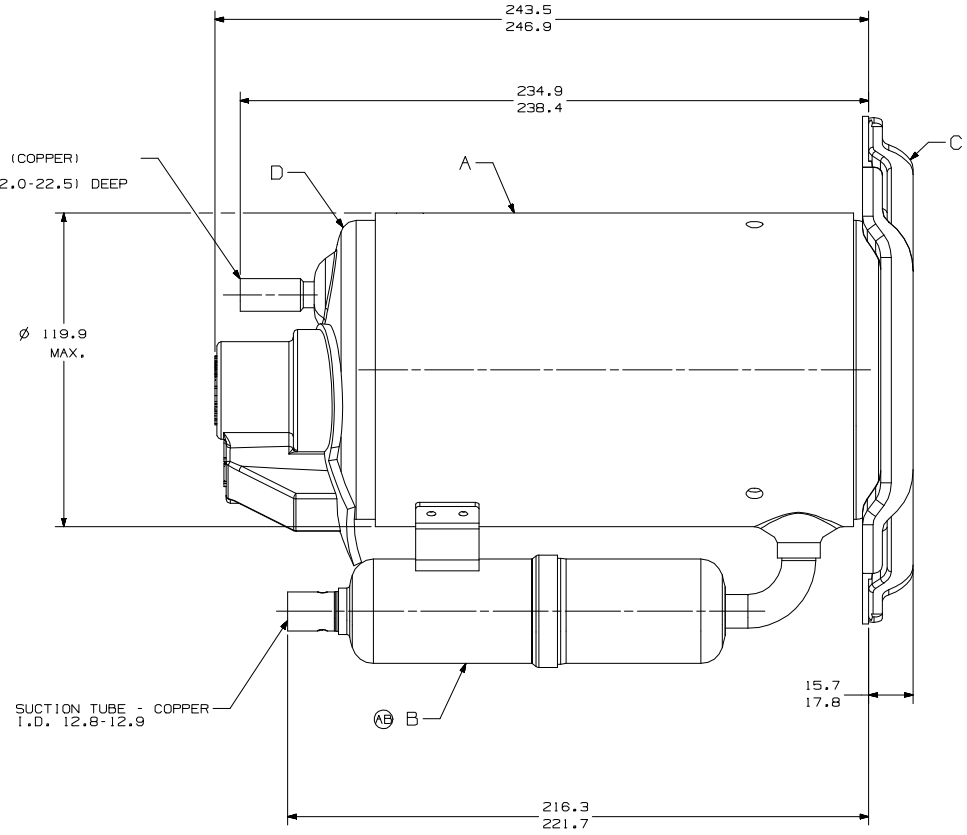


A	HOUSING ASS'Y	BRHA649-11
B	ACCUMULATOR	BRAI2109-6 <sup>AB</sup>
C	MOUNTING PLATE	28822
D	TOP CAP ASS'Y	320-10397 <sup>AC</sup>



DISCHARGE TUBE - (COPPER)  
WALL: 1.2-1.3  
I.D.: 9.6-9.7 (22.0-22.5) DEEP



051070	064482	068515	062745
18-02-16	24-12-16	20-12-15	27-09-20
CUREN - BR	SALAS LS	CUREN - BR	CHEN - BR
ASSOCIADO	MONTOUR	ALTERNATIVA	LIBERACAO
AC SH	BR	CH	MI
LE	LE	LE	LE
LE	LE	LE	LE

UNITS: mm  
DRAWING SIZE: A1  
CATEGORY I  
CATEGORY II  
CATEGORY III  
CATEGORY IV

SALES COMPRESSOR

TECUMSEH

DCRG911

DATE: 08/04/09

SCALE: 1:1

PAGE: 1/1

FAMILY: RG

KIT 7, B