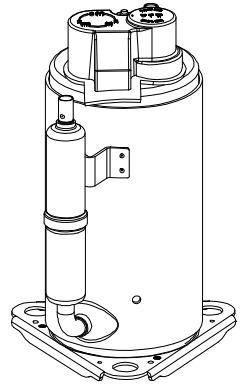
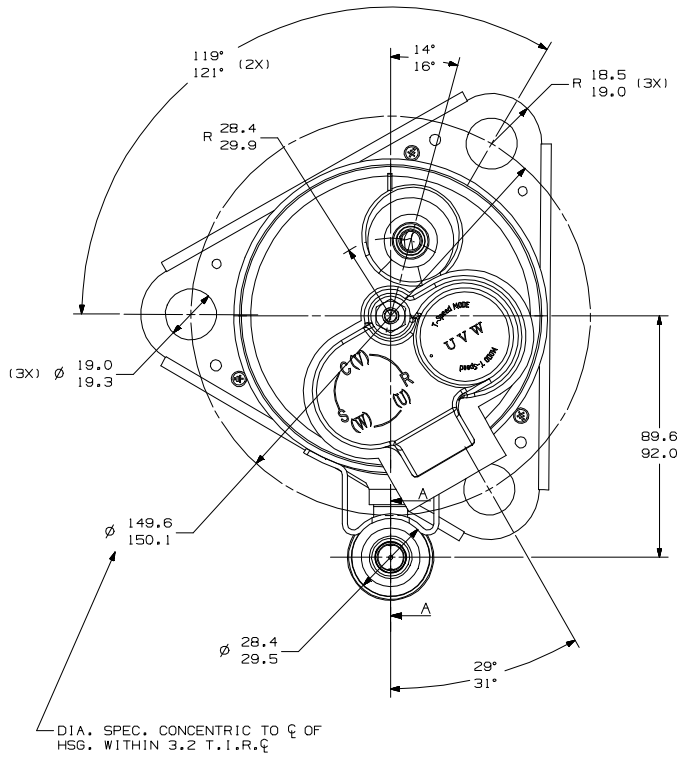
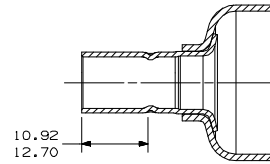
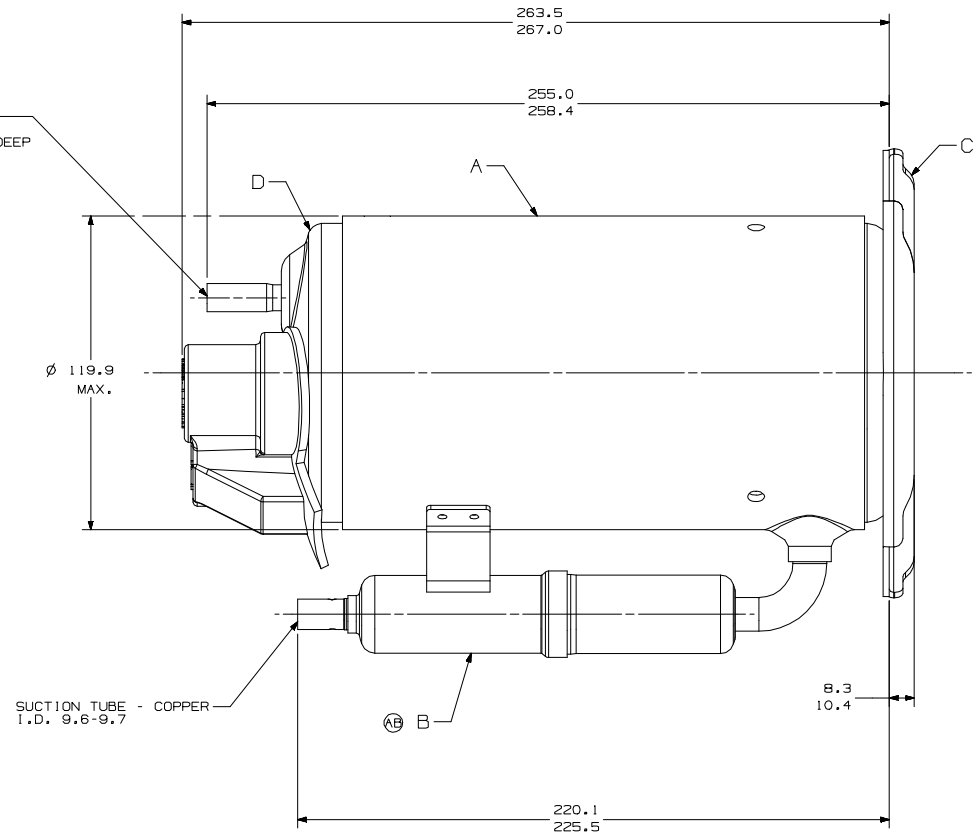


A	HOUSING ASS'Y	BRHA649-12	① Ⓐ
B	ACCUMULATOR	BRA12108-3	
C	MOUNTING PLATE	28823	Ⓐ Ⓐ
D	TOP CAP ASSEMBLY	320-10666	
		BRHA706(ALT 1) 320-10396(ALT 2)	



DISCHARGE TUBE - (COPPER)  
WALL = 1.2-1.3  
I.D. = 8.0-8.2 (22.0-22.5) DEEP



Ⓐ SECTION A-A  
SCALE 2:1

KIT 7,8

EC0876 88-09-10 COPPER	EC0170 10-08-10 COPPER	EC0146 24-03-10 COPPER	EC0610 20-10-05 COPPER	EC0705 12-06-05 COPPER	EC0705 12-06-05 COPPER
1 HS TAPED, S.E. MOUNTING PLATE, 320-10396	1 BS ACCUMULATOR	1 HS TAPED, S.E. MOUNTING PLATE, 28823	1 BS N. TECHNICAL LETTER, 28823	1 HS DISCHARGE TUBE, 22.0-22.5	1 HS SUCTION TUBE, 9.6-9.7
1 HS TOP CAP ASSEMBLY, 320-10666	1 HS TOP CAP ASSEMBLY, 320-10396	1 HS TOP CAP ASSEMBLY, 320-10396	1 HS TOP CAP ASSEMBLY, 320-10396	1 HS TOP CAP ASSEMBLY, 320-10396	1 HS TOP CAP ASSEMBLY, 320-10396
1 HS TOP CAP ASSEMBLY, 320-10396	1 HS TOP CAP ASSEMBLY, 320-10396	1 HS TOP CAP ASSEMBLY, 320-10396	1 HS TOP CAP ASSEMBLY, 320-10396	1 HS TOP CAP ASSEMBLY, 320-10396	1 HS TOP CAP ASSEMBLY, 320-10396

UNITS: mm

SCALE: 1:1

DATE: 28/04/04

DESIGNER: ALEXSANDRO

CHECKER: SCHIAYONE

APPROVER: A. ZANATTA

SALES COMPRESSOR

PART NO. DCRG502

SCALE 1:1

PAGE 1/1

FAMILY: RG

