
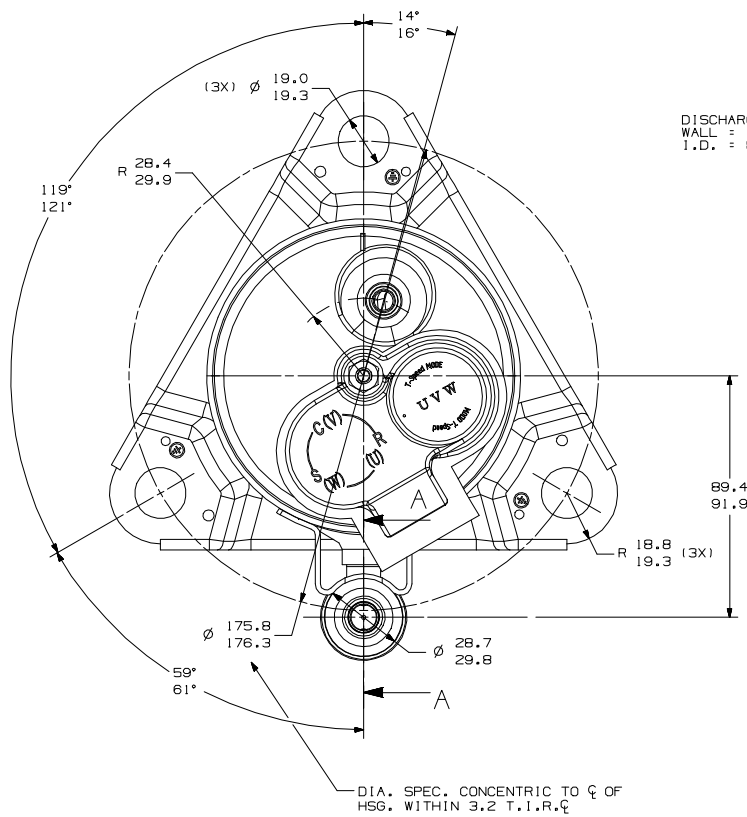
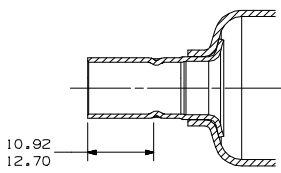
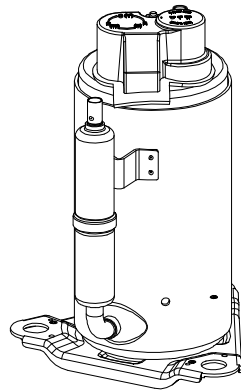
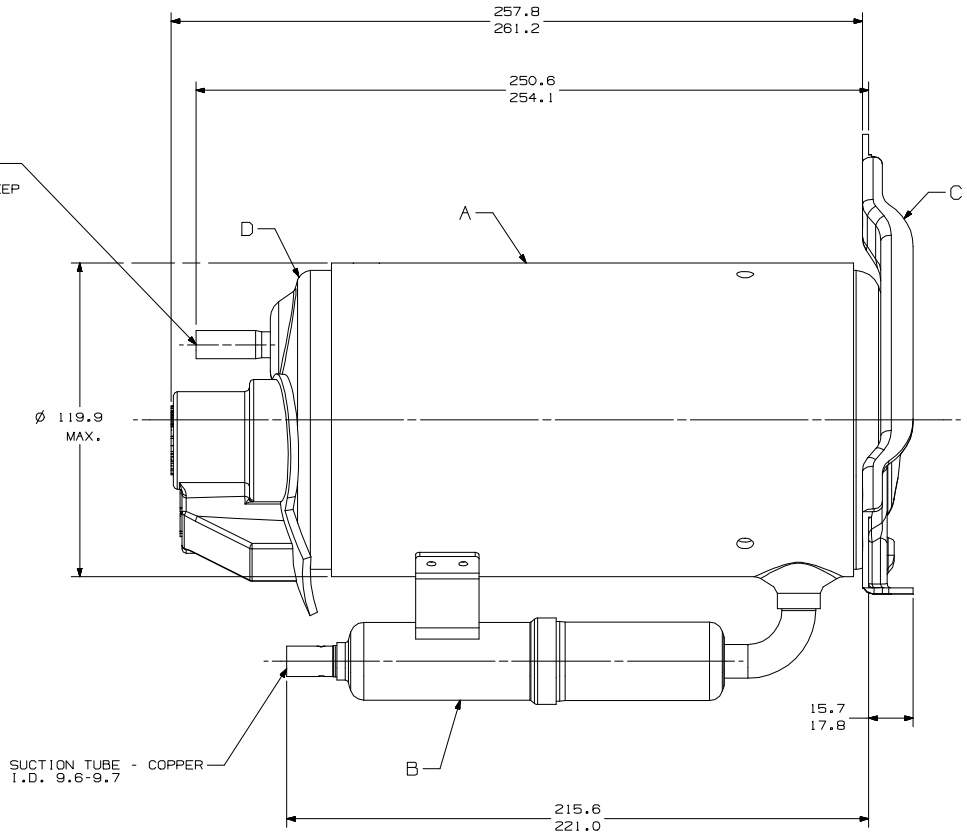


A	HOUSING ASS'Y	BRHA649-12
B	ACCUMULATOR	BRAI2108-3
C	MOUNTING PLATE	28822
D	TOP CAP ASSEMBLY	320-10666 
		BRHA706(ALT 1)
		320-10396(ALT 2)



DISCHARGE TUBE - (COPPER)
WALL = 1.2-1.3
I.D. = 8.0-8.2 (22.0-22.5) DEEP



 SECTION A-A
SCALE 2:1

KIT 7,8

TECUMSEH logo and text.

SALES COMPRESSOR PART NO. DCRG532

DR. A. MARCOS CK. MARCIO SOUZA APR. SCALE 1:1 PAGE 1/1

DATE 28/04/04 REF. WALTER CORREA FAMILY RG

NO	QTY	DESCRIPTION	UNIT	DATE
1	1	HOUSING ASS'Y	PC	04/03/04
2	1	ACCUMULATOR	PC	04/03/04
3	1	MOUNTING PLATE	PC	04/03/04
4	1	TOP CAP ASSEMBLY	PC	04/03/04
5	1	DISCHARGE TUBE - (COPPER)	PC	04/03/04
6	1	SUCTION TUBE - COPPER	PC	04/03/04

UNITS: mm
SCALE: 1:1