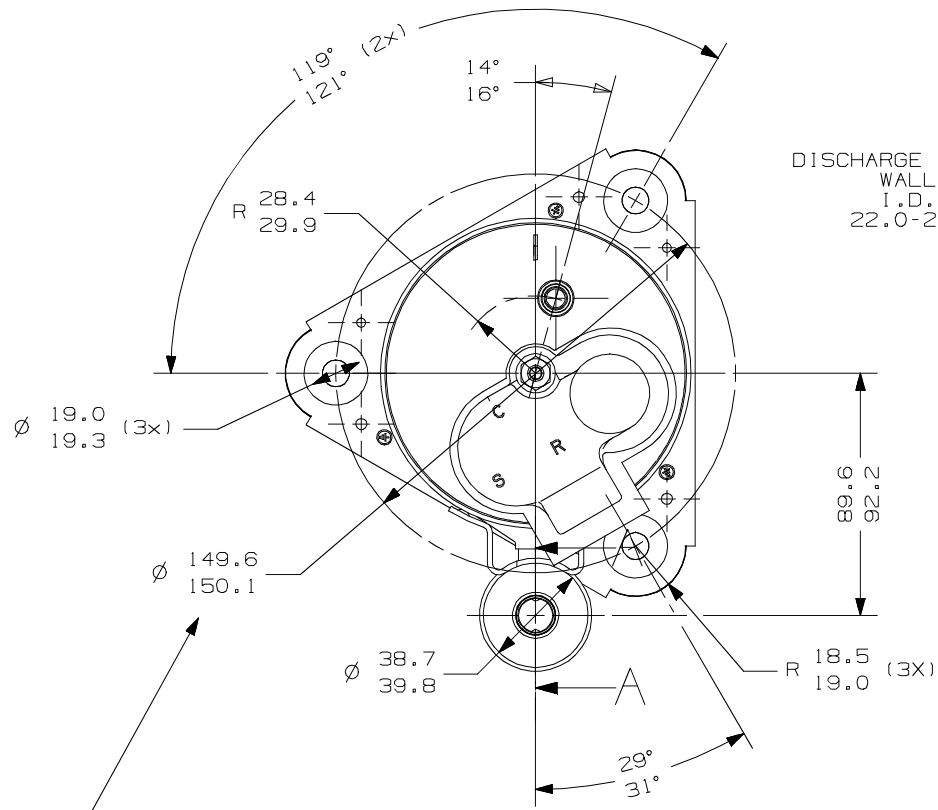


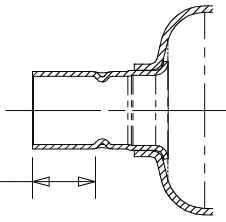
A	HOUSING ASS'Y	14963865
B	ACCUMULATOR	BRA12109-5 (AD)
C	MOUNTING PLATE	28823
D	TOP CAP ASS'Y	320-10274 (AC)



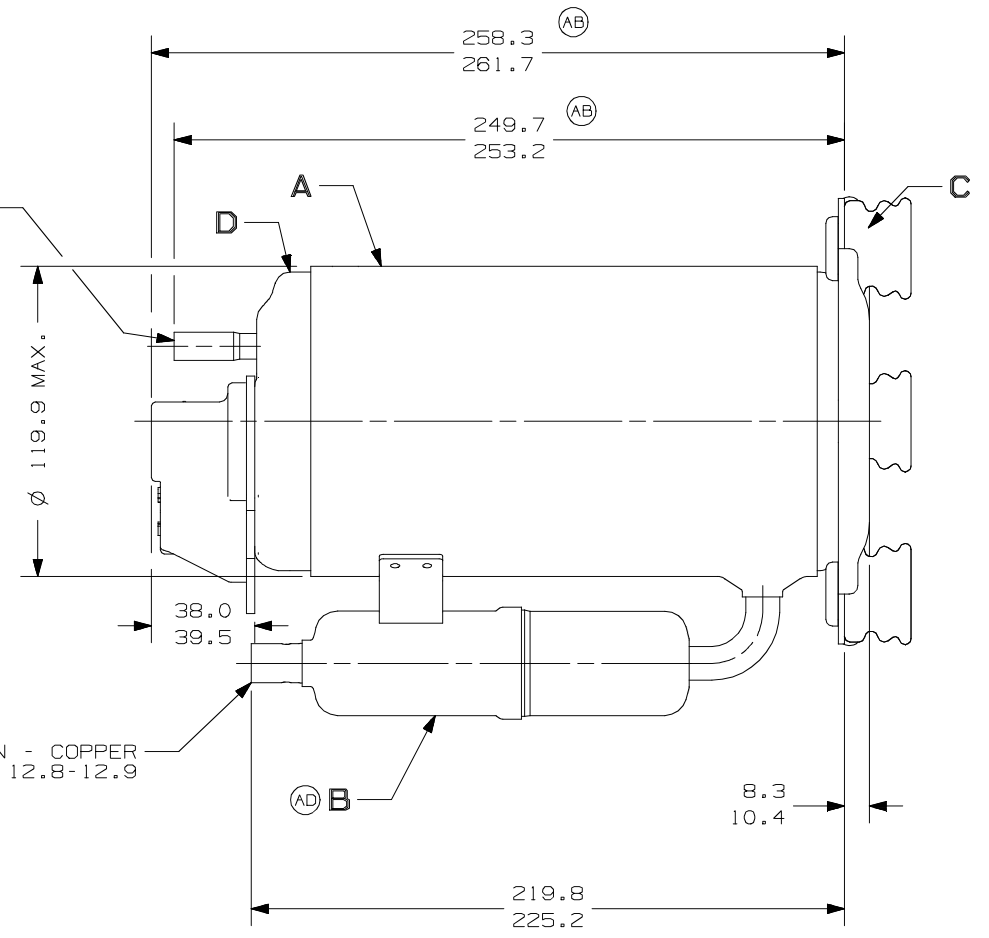
DIA. SPEC CONCENTRIC TO \dot{C} OF HSG. WITHIN 3.2 T.I.R

DISCHARGE - COPPER
WALL 1.2-1.3
I.D. 8.0-8.2
22.0-22.5 DEEP

SUCTION - COPPER
I.D. 12.8-12.9



SECTION A-A
SCALE 1:1



EC81070 19-03-18 CADEM MS.	EC65153 20-10-15 CADEM M.	EC52919 11-02-14 AMP MF	PRE-EC43900 14.02.12 M	CE9967/04 16/09/04 M,N/L,S.	DATE	THIRD ANGLE PROJECTION	 tecumseh	PART NO. BRDCRG007		
ADRESCENTADO CORTE A-A	ALTERADA LETRA B DA TABELA ERA: BRA12109-2	ALT. TAMPA SUP. ERA: HA663	REDUCAO CARCACA ERA 254.8-258.4 ERA 263.8-266.9 ERA BR14660-36	RELEASED	CHANGE	UNITS: mm		NAME SALES COMPRESSOR	SCALE 1:2	PAGE 1/1
A4	D5 B2	D5	D/2 D/5	---	LC	DRAWING SIZE: A3		DWN. MARCO N.	CK. SCHIAVONE	APR. ANDRE Z.
AE	AD	AC	AB	-	LT	DO NOT SCALE THIS DRAWING. ALL FERROUS MATERIALS MUST NOT BE MAGNETIZED AS RECEIVED OR AT COMPRESSOR ASSEMBLY	Q. A. SYMBOLS AS PROCEDURE 2.01.031 TECUMSEH OF BRAZIL * = CATEGORY I ▲ = CATEGORY II ■ = CATEGORY III ■ = CATEGORY IV	DATE 09/08/04	REF.	FAMILY RG