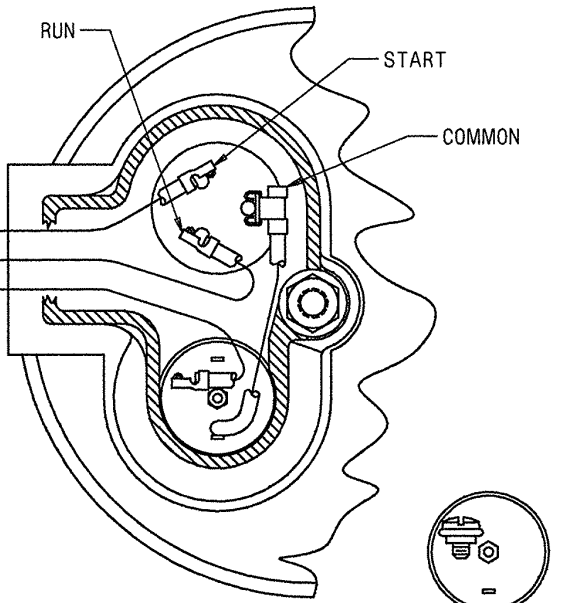
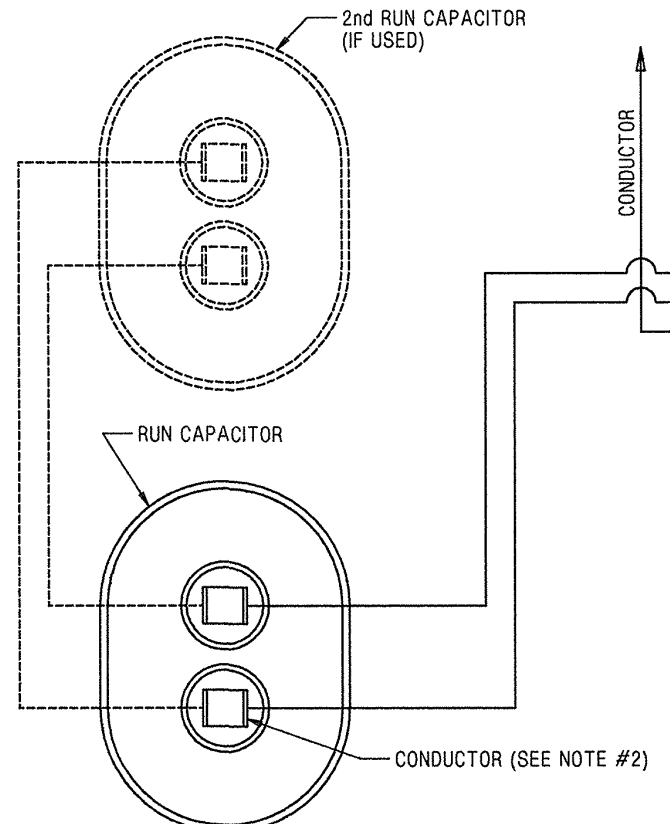
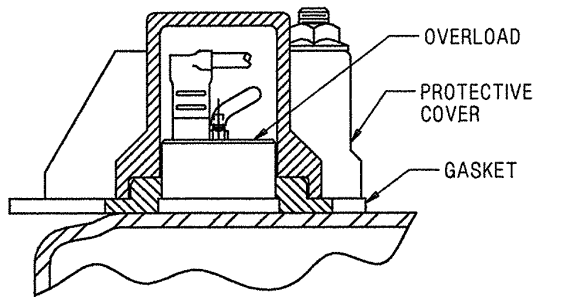


VIEW OF ALT. SCREW TYPE OVERLOAD



VIEW OF ALT. SCREW TYPE OVERLOAD

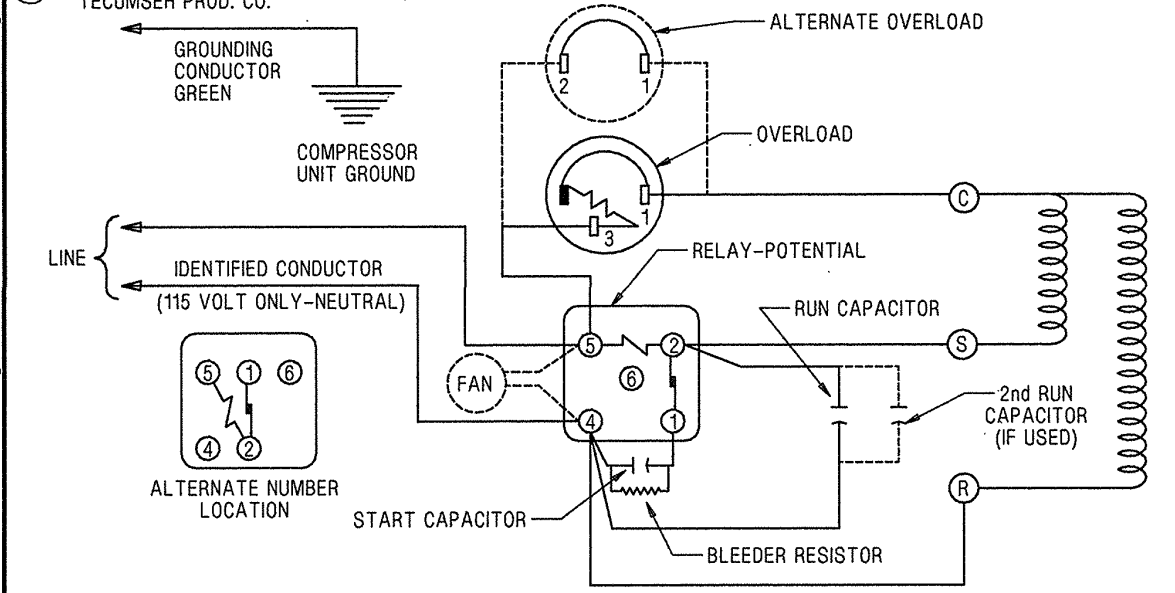


- NOTE:
1. ASSEMBLE PARTS AS SHOWN IF SPECIFIED ON B/M.
  2. IDENTIFIED CONDUCTOR MAY BE WHITE OR RIBBED (115 VOLT ONLY - NEUTRAL).
  3. IF TWO RUN CAPACITORS ARE REQUIRED HOOKUP AS SHOWN.
  - (A) 4. COMPRESSOR UNIT GROUND LOCATED IN THE MOUNTING FEET OF THE COMPRESSOR.
  - (B) 5. GROUND SCREW IS NOT PROVIDED BY TECUMSEH PROD. CO.

- NOTE:
1. ASSEMBLE PARTS AS SHOWN IF SPECIFIED ON B/M.
  2. IDENTIFIED CONDUCTOR MAY BE WHITE OR RIBBED (115 VOLT ONLY - NEUTRAL).
  3. IF TWO RUN CAPACITORS ARE REQUIRED HOOKUP AS SHOWN.
  - (A) 4. COMPRESSOR UNIT GROUND LOCATED IN THE MOUNTING FEET OF THE COMPRESSOR.
  - (B) 5. GROUND SCREW IS NOT PROVIDED BY TECUMSEH PROD. CO.

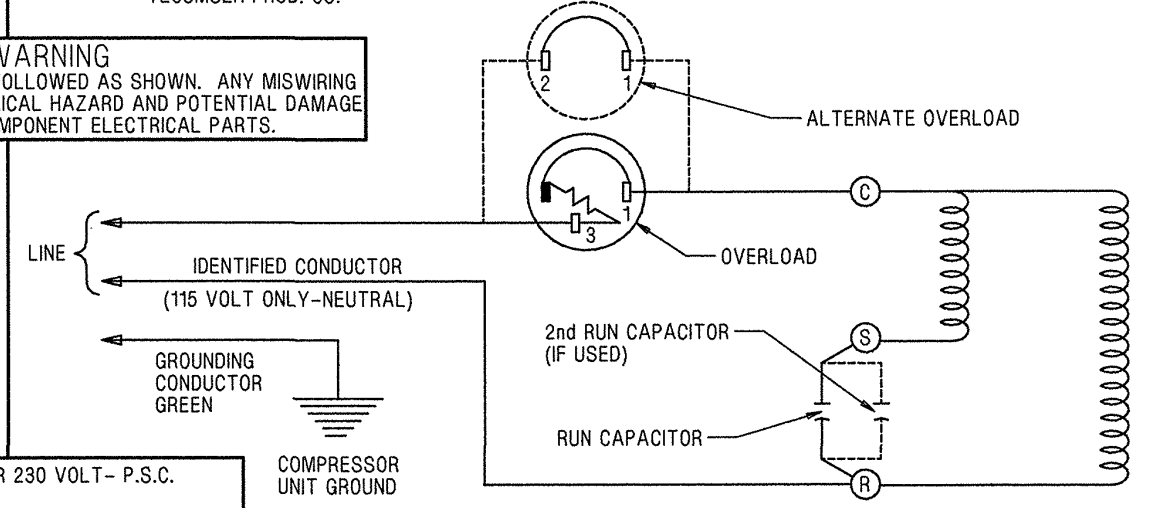
R.B.M. ALTERNATE RELAY:  
HOOK-UP DOES NOT CHANGE WHEN THIS RELAY IS USED.

**WARNING**  
WIRING DIAGRAM MUST BE FOLLOWED AS SHOWN. ANY MISWIRING CAN CAUSE SERIOUS ELECTRICAL HAZARD AND POTENTIAL DAMAGE OR RUPTURE OF COMPONENT ELECTRICAL PARTS.



115 OR 230 VOLT - SCHEMATIC WIRING DIAGRAM CSR OR CSR START CAPACITOR ASSIST

REF. DWG. #MD472-35



RG-115 OR 230 VOLT - P.S.C.  
RG-115 OR 230 VOLT - CSR OR CSR START CAPACITOR ASSIST

115 OR 230 VOLT - SCHEMATIC WIRING DIAGRAM - PSC REF. DWG.#MD472-4

PROJ. #2342 - RG

LT	LC	CHANGE	DATE	DIS. CODE	NAME
				345	ELECTRICAL HOOKUP
					DWN. A.S.C. 6/3/94
					CK. [Signature] 4-15-97
					APR. BLANDEN
					SCALE NONE
					THIS PRINT SUPERSEDES ALL PRINTS PRIOR TO
					TECUMSEH PRODUCTS CO. TECUMSEH, MICHIGAN
					PART NO. DERG1
					INTERNAL USE ONLY UGIDISK6/SHERMANRG-DERGO1CB-C.PRT