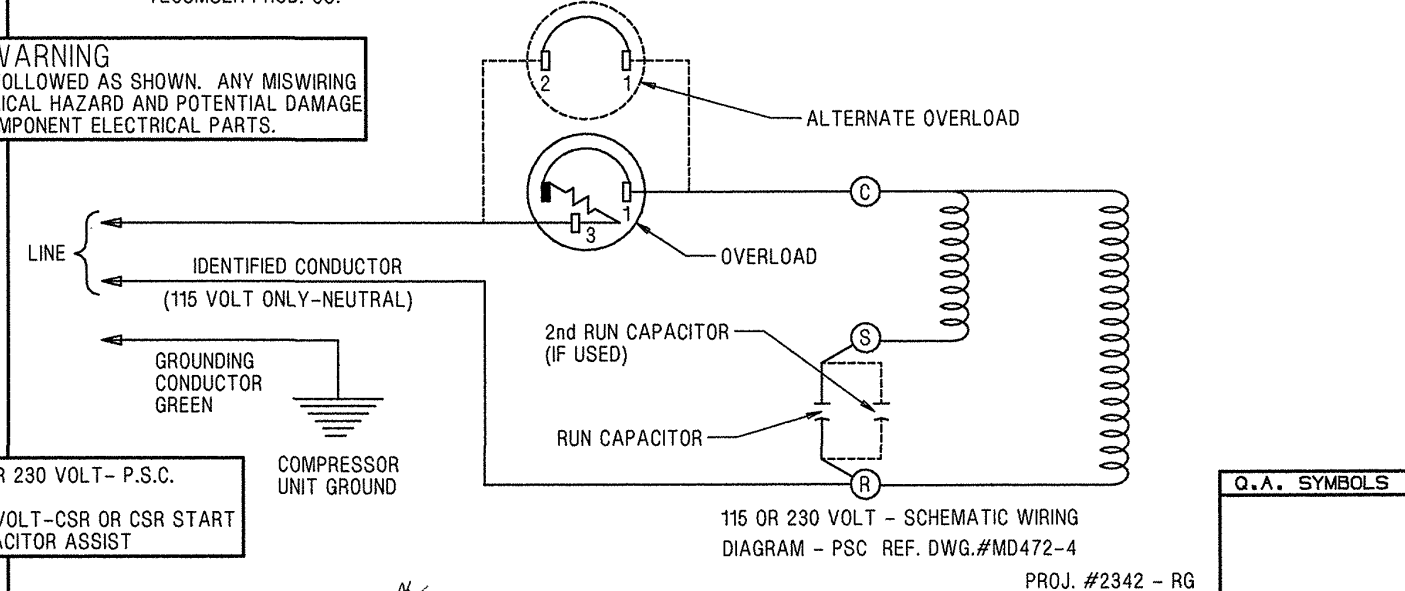


NOTE:

1. ASSEMBLE PARTS AS SHOWN IF SPECIFIED ON B/M.
2. IDENTIFIED CONDUCTOR MAY BE WHITE OR RIBBED (115 VOLT ONLY - NEUTRAL).
3. IF TWO RUN CAPACITORS ARE REQUIRED HOOKUP AS SHOWN.
- (A) 4. COMPRESSOR UNIT GROUND LOCATED IN THE MOUNTING FEET OF THE COMPRESSOR.
- (B) 5. GROUND SCREW IS NOT PROVIDED BY TECUMSEH PROD. CO.

**WARNING**  
 WIRING DIAGRAM MUST BE FOLLOWED AS SHOWN. ANY MISWIRING CAN CAUSE SERIOUS ELECTRICAL HAZARD AND POTENTIAL DAMAGE OR RUPTURE OF COMPONENT ELECTRICAL PARTS.



RG-115 OR 230 VOLT - P.S.C.  
 RG-115 OR 230 VOLT - CSR OR CSR START CAPACITOR ASSIST

115 OR 230 VOLT - SCHEMATIC WIRING DIAGRAM - PSC REF. DWG.#MD472-4  
 PROJ. #2342 - RG

LT	LC	CHANGE	DATE	DESCRIPTION
			4/10/97	S.J.S. ADDED NOTE 5
				ADDED NOTE 4
				#235682
				#228417-217

DIS. CODE	345	NAME	ELECTRICAL HOOKUP	
DWN.	A.S.C.	CK.	M. DUGHEZ	APR. BLANDEN
	6/3/94		4-15-97	
MATERIAL			TECUMSEH PRODUCTS CO. TECUMSEH, MICHIGAN	
INTERNAL USE ONLY			UGIDISK6;SHERMANRG-DERGO1CB-C.PRT	
Q.A. SYMBOLS				PART NO. DERG1