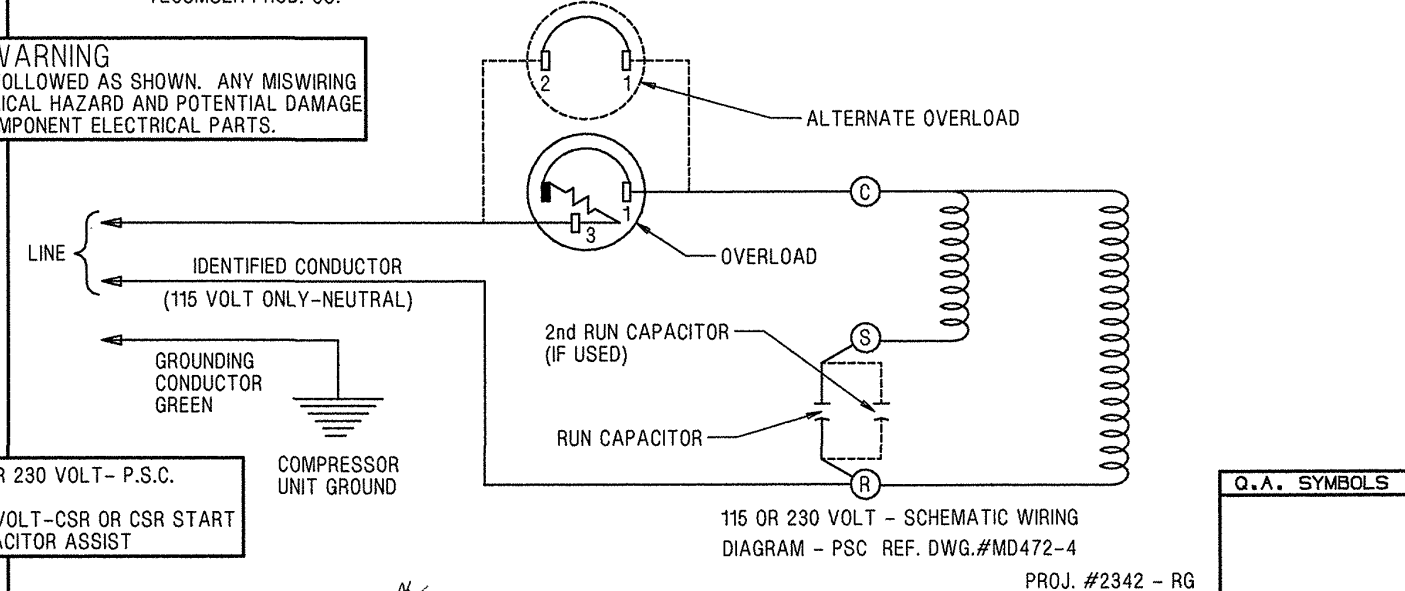


- NOTE:
1. ASSEMBLE PARTS AS SHOWN IF SPECIFIED ON B/M.
 2. IDENTIFIED CONDUCTOR MAY BE WHITE OR RIBBED (115 VOLT ONLY - NEUTRAL).
 3. IF TWO RUN CAPACITORS ARE REQUIRED HOOKUP AS SHOWN.
 - (A) 4. COMPRESSOR UNIT GROUND LOCATED IN THE MOUNTING FEET OF THE COMPRESSOR.
 - (B) 5. GROUND SCREW IS NOT PROVIDED BY TECUMSEH PROD. CO.

WARNING
 WIRING DIAGRAM MUST BE FOLLOWED AS SHOWN. ANY MISWIRING CAN CAUSE SERIOUS ELECTRICAL HAZARD AND POTENTIAL DAMAGE OR RUPTURE OF COMPONENT ELECTRICAL PARTS.



RG-115 OR 230 VOLT - P.S.C.
 RG-115 OR 230 VOLT-CSR OR CSR START CAPACITOR ASSIST

115 OR 230 VOLT - SCHEMATIC WIRING DIAGRAM - PSC REF. DWG.#MD472-4
 PROJ. #2342 - RG

Q.A. SYMBOLS

DIS. CODE		NAME		ELECTRICAL HOOKUP	
345		A.S.C.		6/3/94	
DWN.		CK.		APR. BLANDEN	
#235682		#228417-217		SCALE NONE	
ADDED NOTE 5		ADDED NOTE 4		THIS PRINT SUPERSEDES ALL PRINTS PRIOR TO	
4C 8C		4C 8C		TECUMSEH PRODUCTS CO.	
B		A		TECUMSEH, MICHIGAN	
REL. #228417-217		DATE 4/10/97		PART NO. DERG1	
LT LC CHANGE		MATERIAL		INTERNAL USE ONLY	
THIS DRAWING OR PRINT IS THE PROPERTY OF TECUMSEH PRODUCTS CO. AND CONTAINS INFORMATION BELONGING TO TECUMSEH. IT IS TO BE KEPT IN STRICT CONFIDENTIALITY AND NOT TO BE REPRODUCED OR TRANSMITTED IN ANY MANNER OR BY ANY MEANS WITHOUT THE WRITTEN PERMISSION OF TECUMSEH PRODUCTS CO. THIS INFORMATION IS NOT TO BE USED FOR ANY PURPOSE OTHER THAN THAT SPECIFICALLY AUTHORIZED BY TECUMSEH PRODUCTS CO. IN WRITING. THIS DRAWING IS THE PROPERTY OF TECUMSEH PRODUCTS CO. AND IS TO BE KEPT IN STRICT CONFIDENTIALITY AND NOT TO BE REPRODUCED OR TRANSMITTED IN ANY MANNER OR BY ANY MEANS WITHOUT THE WRITTEN PERMISSION OF TECUMSEH PRODUCTS CO. THIS INFORMATION IS NOT TO BE USED FOR ANY PURPOSE OTHER THAN THAT SPECIFICALLY AUTHORIZED BY TECUMSEH PRODUCTS CO. IN WRITING.		UGIDISK6;SHERMANRG-DERGO1CB-C.PRT			