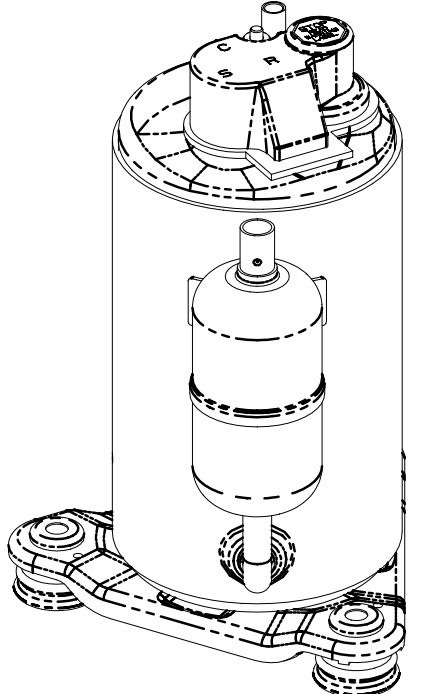


DIMENSIONING= INCHES OR INCHES (MILLIMETERS)



REV	DATE	BY	CHKD	DESCRIPTION
6E	09JUL01	JK	JK	2D UPDATED TO 3D V16
6D	08NOV00	JK	JK	ON FILE
6C	08JUN97	JK	JK	REVISIONS
6B	08JUN97	JK	JK	REVISIONS
6A	08JUN97	JK	JK	REVISIONS
5E	08JUN97	JK	JK	REVISIONS
5D	08JUN97	JK	JK	REVISIONS
5C	08JUN97	JK	JK	REVISIONS
5B	08JUN97	JK	JK	REVISIONS
5A	08JUN97	JK	JK	REVISIONS
4E	08JUN97	JK	JK	REVISIONS
4D	08JUN97	JK	JK	REVISIONS
4C	08JUN97	JK	JK	REVISIONS
4B	08JUN97	JK	JK	REVISIONS
4A	08JUN97	JK	JK	REVISIONS
3E	08JUN97	JK	JK	REVISIONS
3D	08JUN97	JK	JK	REVISIONS
3C	08JUN97	JK	JK	REVISIONS
3B	08JUN97	JK	JK	REVISIONS
3A	08JUN97	JK	JK	REVISIONS
2E	08JUN97	JK	JK	REVISIONS
2D	08JUN97	JK	JK	REVISIONS
2C	08JUN97	JK	JK	REVISIONS
2B	08JUN97	JK	JK	REVISIONS
2A	08JUN97	JK	JK	REVISIONS
1E	08JUN97	JK	JK	REVISIONS
1D	08JUN97	JK	JK	REVISIONS
1C	08JUN97	JK	JK	REVISIONS
1B	08JUN97	JK	JK	REVISIONS
1A	08JUN97	JK	JK	REVISIONS

SALES COMPRESSOR

TECUMSEH PRODUCTS CO.
TECUMSEH, MICHIGAN

INTERNAL USE ONLY
01:rk:rk-dcrk032-f.cprt

DWG. NO. **DCRK032**