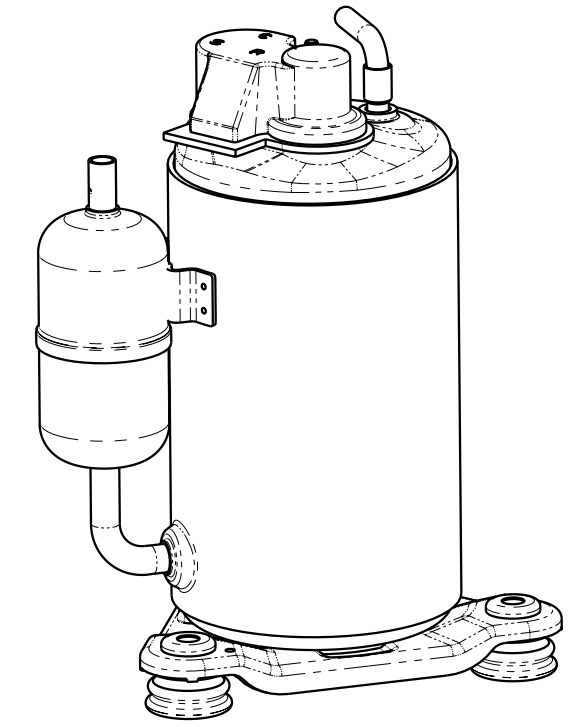


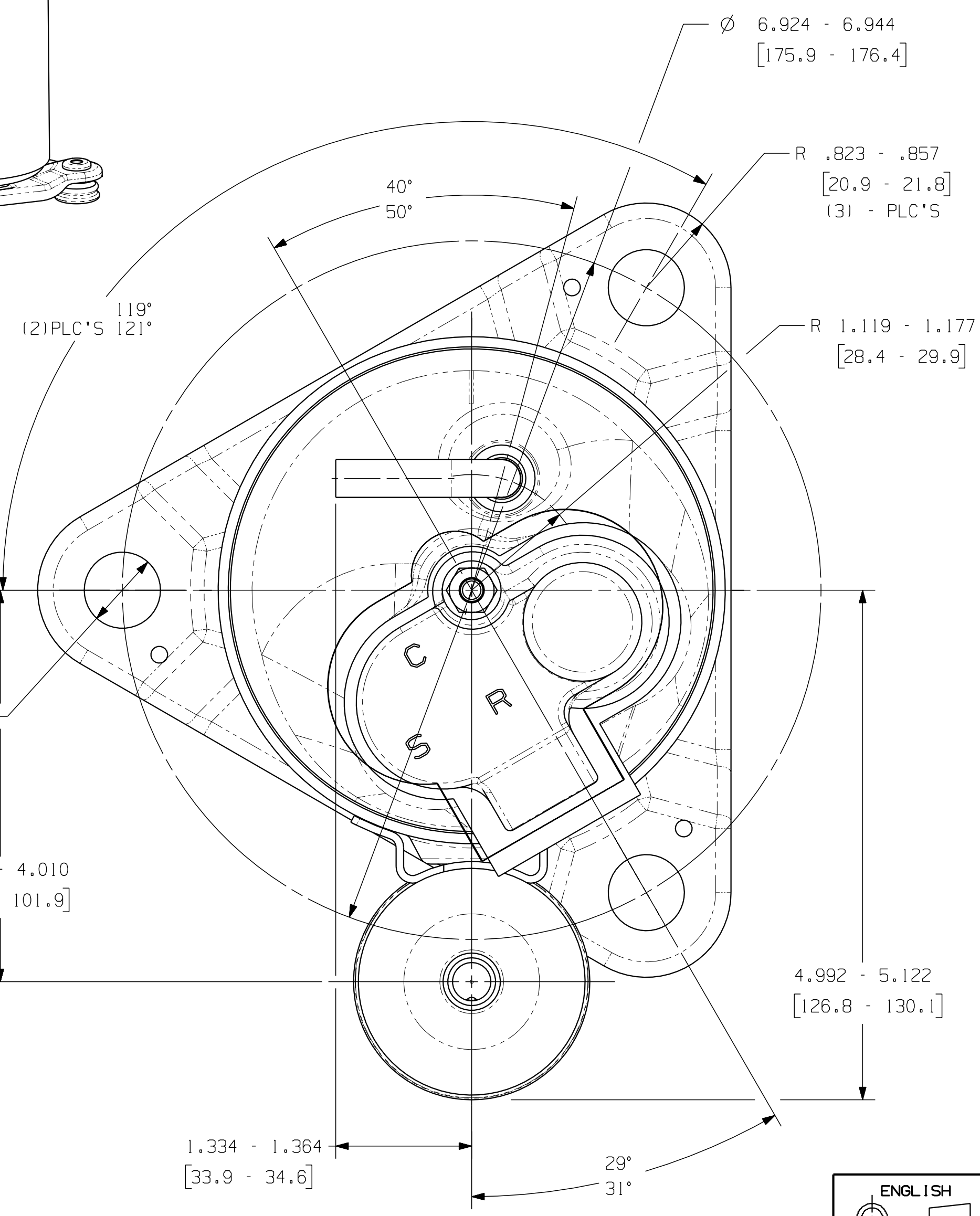
DISCHARGE - COPPER  
 WALL - .031 - .025 [0.8 - 0.6]  
 O.D. - .377 - .373 [9.6 - 9.5] X  
 .500 - .380 [12.7 - 9.7] DEEP

MTG. SURFACE TO BE  $\perp$  TO  $\phi$  OF COMP  
 WITHIN .040 (1.0) T.I.R.

SUCTION - COPPER  
 I.D. .379 - .386 [9.6 - 9.8] X  
 .430 - .500 [10.9 - 12.7] DEEP



DIA. SPEC. CONCENTRIC TO  $\phi$  OF HSG.  
 WITHIN .125 (3.2) T.I.R.



DIMENSIONING: INCHES OR INCHES (MILLIMETERS)  
 (MILLIMETERS)

ENGLISH	
	Q.A. SYMBOLS
	★ = CATEGORY I
	▲ = CATEGORY II
	■ = CATEGORY III
	□ = CATEGORY IV

User: dcoffey Part/Rev: rk-dcrk041\_rel-c.prt Date: 06-Dec-06 Time: 17:20

REL	EC504B	DATE	---	DIS.CODE		PART NAME	SALES COMPRESSOR	
LT	LC	CHANGE					SCALE	1:1 & NOTED
<p>THIS DRAWING OR PRINT IS THE PROPERTY OF TECUMSEH COMPRESSOR CO. IT IS TO BE KEPT IN CONFIDENTIALITY AND NOT TO BE REPRODUCED OR TRANSMITTED IN ANY FORM OR BY ANY MEANS, ELECTRONIC OR MECHANICAL, INCLUDING PHOTOCOPYING, RECORDING, OR BY ANY INFORMATION STORAGE AND RETRIEVAL SYSTEM, WITHOUT THE EXPRESS AND WRITTEN PERMISSION OF TECUMSEH COMPRESSOR CO. ANY UNAUTHORIZED REPRODUCTION OR TRANSMISSION OF THIS DRAWING OR PRINT IS STRICTLY PROHIBITED. THE RECIPIENT SHALL BE RESPONSIBLE FOR THE PROTECTION OF THIS DRAWING OR PRINT AND SHALL PROMPTLY RETURN IT TO TECUMSEH COMPRESSOR CO. UPON THE COMPLETION OF THE PROJECT FOR WHICH IT WAS PROVIDED. THIS DRAWING OR PRINT IS THE PROPERTY OF TECUMSEH COMPRESSOR CO. AND NOT TO BE REPRODUCED OR TRANSMITTED IN ANY FORM OR BY ANY MEANS, ELECTRONIC OR MECHANICAL, INCLUDING PHOTOCOPYING, RECORDING, OR BY ANY INFORMATION STORAGE AND RETRIEVAL SYSTEM, WITHOUT THE EXPRESS AND WRITTEN PERMISSION OF TECUMSEH COMPRESSOR CO. ANY UNAUTHORIZED REPRODUCTION OR TRANSMISSION OF THIS DRAWING OR PRINT IS STRICTLY PROHIBITED. THE RECIPIENT SHALL BE RESPONSIBLE FOR THE PROTECTION OF THIS DRAWING OR PRINT AND SHALL PROMPTLY RETURN IT TO TECUMSEH COMPRESSOR CO. UPON THE COMPLETION OF THE PROJECT FOR WHICH IT WAS PROVIDED.</p>								THIS PRINT SUPERSEDES ALL PRINTS PRIOR TO
<p>TECUMSEH COMPRESSOR CO.                  TECUMSEH, MICHIGAN</p>							DWG NO.	DCRK041
<p>NOTED</p>							FORMAT No.	MO888-02
<p>REVISION LEVEL:</p>							REL	