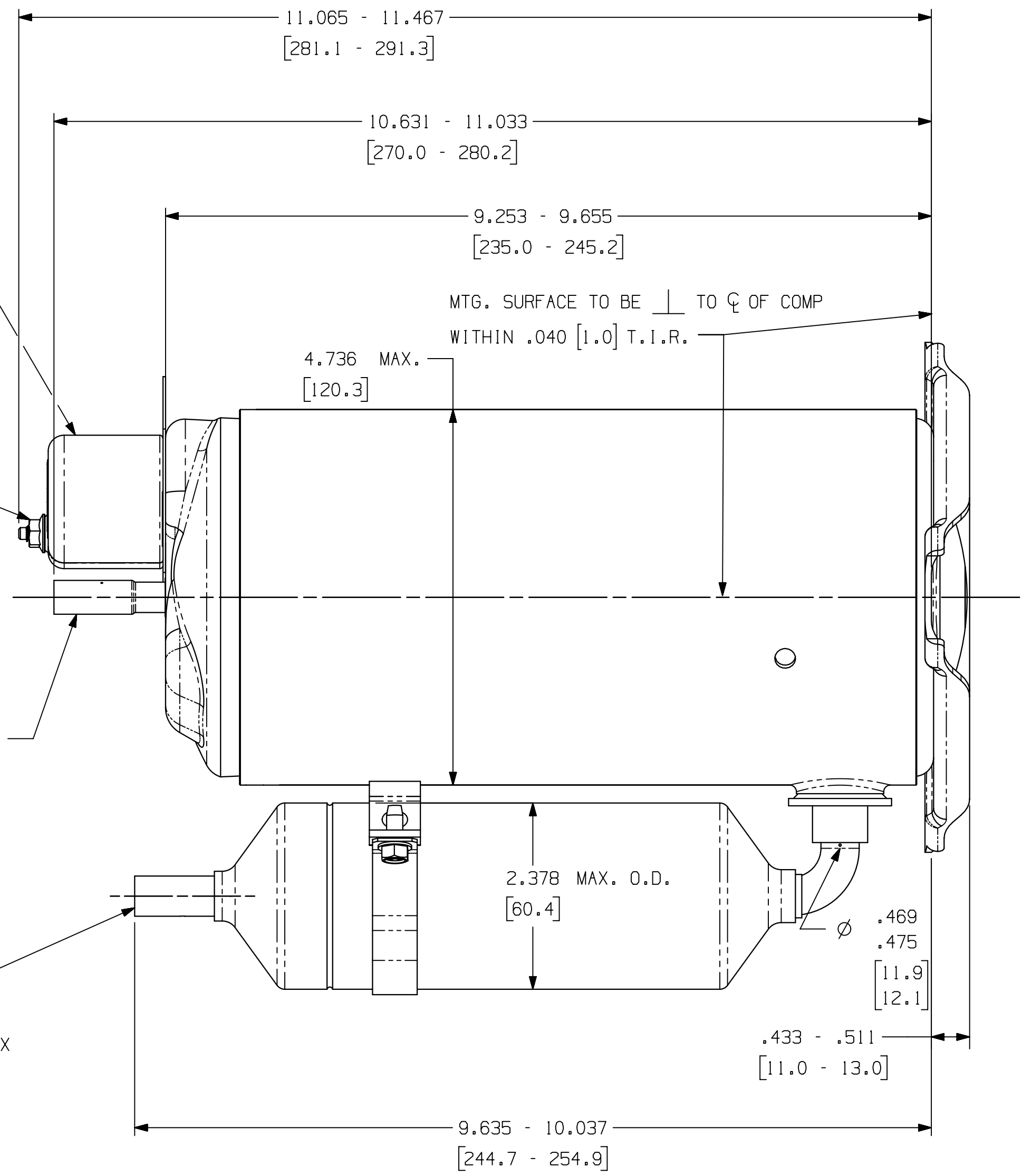


PROTECTIVE COVER
PER B/M

ⓑ NUT PER B/M
(NUT FASTENING TORQUE
[15±5 KGF-CM]
13±4.3 LBF-IN)

DISCHARGE-COPPER
I.D. -.315-.327 [8.00-8.30] X
.531-.650 [13.50-16.50] DEEP

SUCTION-COPPER
I.D. .500-.512 [12.70-13.00] X
.531-.650 [13.50-16.50] DEEP



DIMENSIONING: INCHES [MILLIMETERS] OR INCHES [MILLIMETERS]

3D, VNX10

ENGLISH (METRIC)

Q.A. SYMBOLS

- ★ = CATEGORY I
- ▲ = CATEGORY II
- = CATEGORY III
- = CATEGORY IV

RK

<p>EC85889 RP ADDED NUT FASTENING TORQUE</p> <p>26 JUL 18</p>		<p>EC84386 ATC DLC GEN REV'S TO 30 APR 18</p>		<p>EC80539 ATC</p>		<p>DATE</p>		<p>THIS DRAWING OR PRINT (1:1) IS THE PROPERTY OF TECUMSEH PRODUCTS CORPORATION AND CONTAINS PROPRIETARY AND CONFIDENTIAL INFORMATION. IT IS TO BE KEPT SECRET AND NOT TO BE REPRODUCED OR DISCLOSED IN ANY MANNER WITHOUT THE WRITTEN CONSENT OF TECUMSEH PRODUCTS CORPORATION. APPROVED IN WRITING BY TECUMSEH PRODUCTS CORPORATION AND NOT TO BE COPIED OR REPRODUCED IN ANY MANNER WITHOUT THE WRITTEN CONSENT AND (11V) SPECIFIC WRITTEN CONSENT AND (11V) THEREOF TO TECUMSEH AT THE REQUEST MADE IMMEDIATELY AFTER SUCH REQUEST IS MADE.</p>		<p>DWG NO. DCRK 190</p>	
<p>SCALE .8=1 & NOTED</p>		<p>TECUMSEH PRODUCTS CO. ANN ARBOR, MICHIGAN</p>		<p>SALES COMPRESSOR</p>		<p>THIS PRINT SUPERSEDES ALL PRINTS PRIOR TO</p>		<p>DESCRIPTION</p>		<p>MATERIAL</p>	