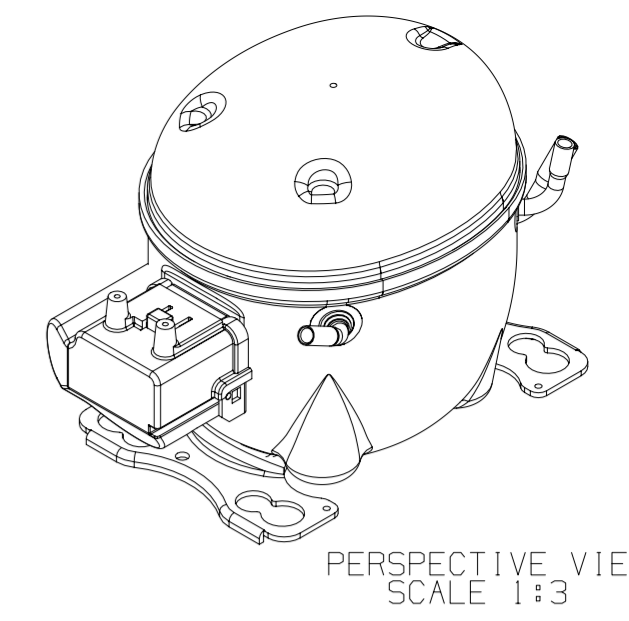
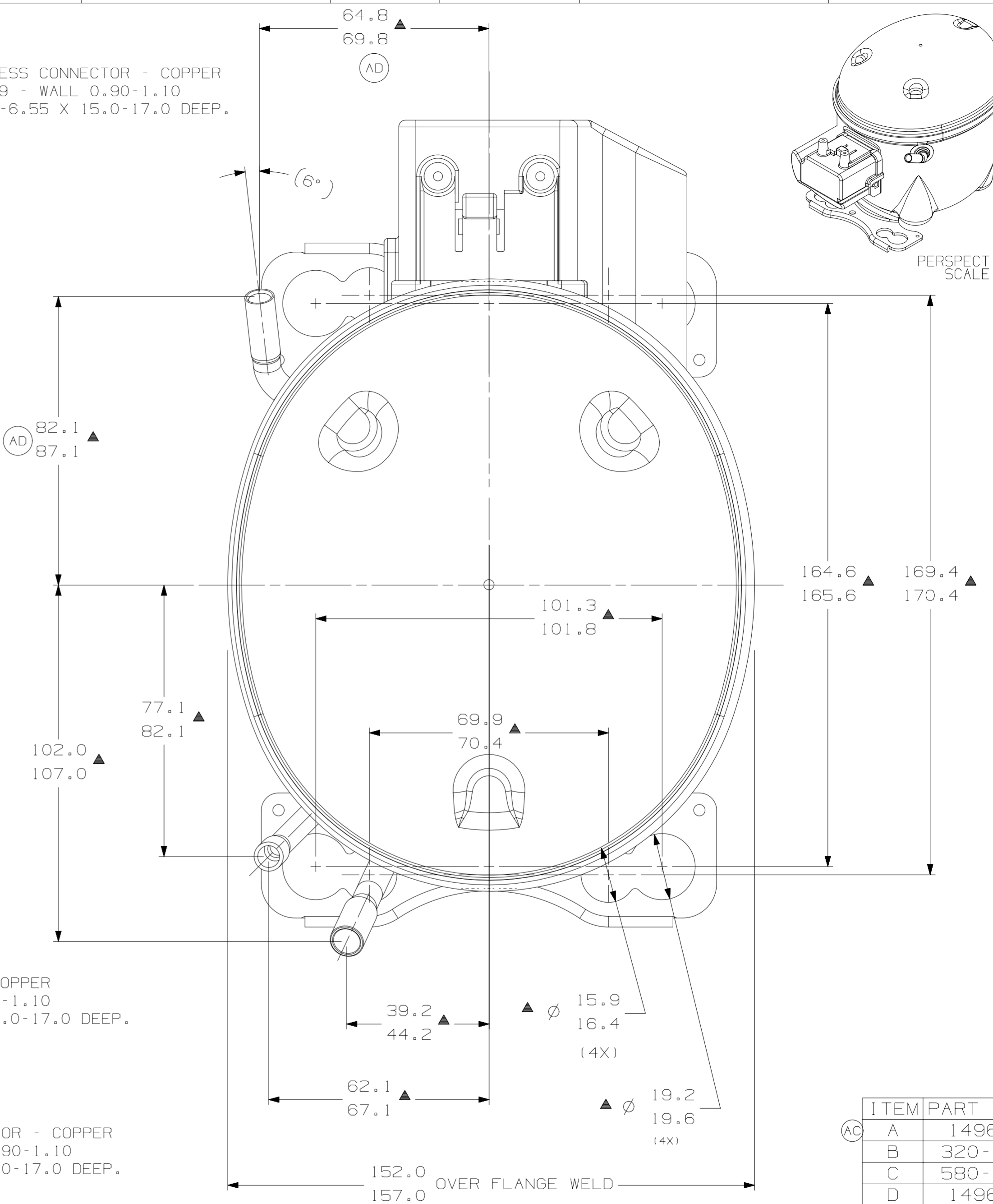


USE ONLY PROCESS CONNECTOR - COPPER
 O.D. 7.89-7.99 - WALL 0.90-1.10
 END I.D. 6.45-6.55 X 15.0-17.0 DEEP.
 PLUG 40.

DISCHARGE CONNECTOR - COPPER
 O.D. 7.00-7.10 - WALL 0.90-1.10
 END I.D. 6.45-6.55 X 15.0-17.0 DEEP.
 PLUG 40

USE ONLY SUCTION CONNECTOR - COPPER
 O.D. 7.89-7.99 - WALL 0.90-1.10
 END I.D. 8.00-8.10 X 15.0-17.0 DEEP.
 PLUG 3.



- NOTES
- 1- IF SPECIFIED IN BM. ASSEMBLE PARTS AS SHOWN.
 - 2- SEE SPEC. "A-B" & A-C FOR PROCESS.
 - 3- FOR SUPPLIER ENVIRONMENTAL REGULATORY REQUIREMENTS, SEE TECUMSEH GLOBAL SPEC. 08
 - 4- TUBES OF SUCTION, DISCHARGE AND PROCESS MUST BE FREE OF INK ON 15.8mm (5/8 ") FROM TOP OF THE TUBES AS SPEC. TECUMSEH AB-4.

ITEM	PART NUMBER
AC	A 14962905
	B 320-10523
	C 580-10164
	D 14963887
	E 14947663

REV	DESCRIPTION	DATE	BY	CHKD	APPV
AD	ATUALIZADA 320-10523	25-06-19	AMR	MF	
AC	ERA: 320-10176 PASSOU PARA 14962905	08/08/2018	AMR	MF	
AB	RETIRADA AREA DE PINTURA DO FURO DO FENCE				
AA	LIBERACAO				

THIS DRAWING OR PRINT (1) IS THE PROPERTY OF TECUMSEH DO BRASIL LTDA. AND CONTAINS PROPRIETARY AND CONFIDENTIAL INFORMATION BELONGING TO TECUMSEH DO BRASIL LTDA. IT IS TO BE USED ONLY FOR THE SPECIFIC PURPOSE AND SPECIFIC CONDITION THAT IT IS THEREON OR DISCLOSED OR MADE AVAILABLE TO OTHERS WITHOUT THE EXPRESS AND SPECIFIC WRITTEN CONSENT OF TECUMSEH DO BRASIL AND SHALL NOT BE COPIED OR TO ANY EXTENT WITH- OUT TECUMSEH DO BRASIL PRIOR EXPRESS AND SPECIFIC WRITTEN CONSENT AND (1) SHALL BE RETURNED BY THE RECIPIENT LATTER'S REQUEST PROMPTLY AFTER SUCH REQUEST IS MADE.

DO NOT SCALE THIS DRAWING. ALL FER- ROUS MATERIALS MUST NOT BE MAGNETIZED AS RECEIVED OR AT COMPRESSOR ASSEMBLY

THIRD ANGLE PROJECTION

UNITS: mm

DRAWING SIZE: A2

0. A. SYMBOLS AS PROCEDURE 2.01.031 TECUMSEH OF BRAZIL

- ★ = CATEGORY I
- ▲ = CATEGORY II
- = CATEGORY III
- = CATEGORY IV

Tecumseh

SALES COMPRESSOR

PART NO. DCTC038

SCALE 1:1

PAGE 1/1

DATE 15-06-15

REF.

FAMILY TC