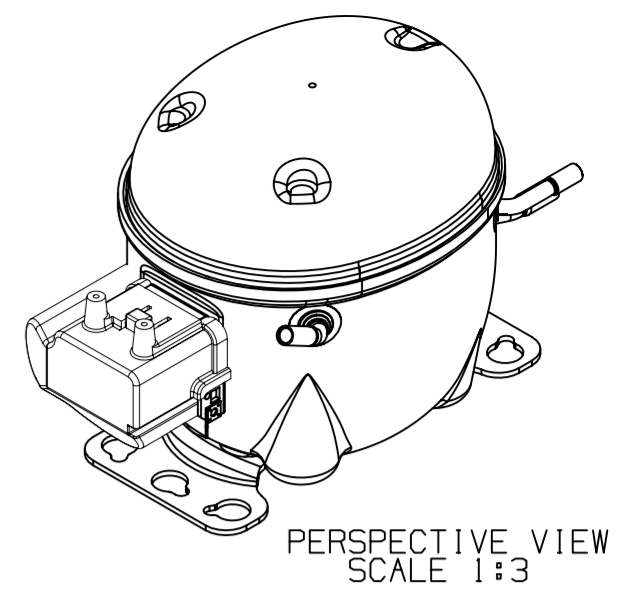
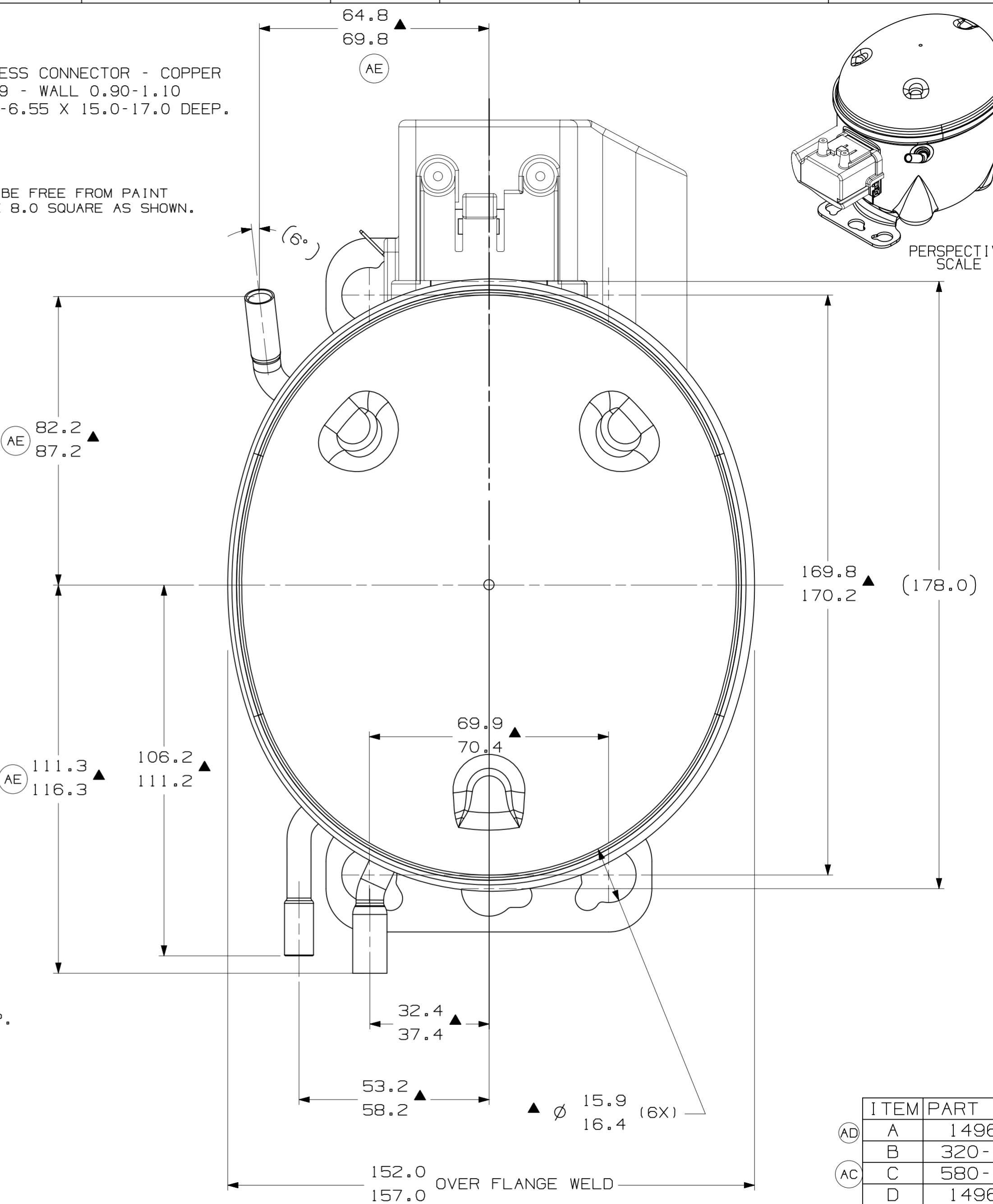


E
USE ONLY PROCESS CONNECTOR - COPPER
O.D. 7.89-7.99 - WALL 0.90-1.10
END I.D. 6.45-6.55 X 15.0-17.0 DEEP.
PLUG 40.
THIS AREA MUST BE FREE FROM PAINT
WITHIN A 10.0 X 8.0 SQUARE AS SHOWN.



NOTES
1- IF SPECIFIED IN BM. ASSEMBLE PARTS AS SHOWN.
2- SEE SPEC. "A-B" & A-C FOR PROCESS.
3- FOR SUPPLIER ENVIRONMENTAL REGULATORY REQUIREMENTS, SEE TECUMSEH GLOBAL SPEC. 08
4- TUBES OF SUCTION, DISCHARGE AND PROCESS MUST BE FREE OF INK ON 15.8mm (5/8") FROM TOP OF THE TUBES AS SPEC. TECUMSEH AB-4.

ITEM	PART NUMBER
AD	A 14962905
B	320-10498
AC	C 580-10164
D	14961223
E	14947663

REV	DATE	BY	CHKD	DESCRIPTION
EC98010	12-07-21	CIAS. CS.		ATUALIZADA 320-10498
EC90671	25-06-19	CADEM		ERA: 171.6-174.6 ERA1: 320-10176 PASSOU PARA 14962905
EC71120	13-08-16	R. AMP. WALTER		ERA: 14961219
EC70408	17-02-16	R. AMP. WALTER		ACRESCENTADO A CATEGORIA DE PROTEÇÃO DE TERMINAIS
EC65941	25-11-15	AMP. WALTER		LIBERACAO

THIS DRAWING OR PRINT (1) IS THE PROPERTY OF TECUMSEH DO BRASIL LTDA. AND CONTAINS PROPRIETARY AND CONFIDENTIAL INFORMATION BELONGING TO TECUMSEH DO BRASIL. IT IS TO BE USED ONLY FOR THE SPECIFIC PURPOSE AND SPECIFIC CONDITION THAT NEITHER IT NOR THE INFORMATION CONTAINED THEREIN OR DISCLOSED OR MADE AVAILABLE TO OTHERS WITHOUT THE EXPRESS AND SPECIFIC WRITTEN CONSENT OF TECUMSEH DO BRASIL AND SHALL NOT BE COPIED OR IN ANY MANNER REPRODUCED OR TRANSMITTED IN ANY FORM OR BY ANY MEANS, ELECTRONIC OR MECHANICAL, INCLUDING PHOTOCOPYING, RECORDING, OR BY ANY INFORMATION STORAGE AND RETRIEVAL SYSTEM. ANY UNAUTHORIZED REPRODUCTION OR USE SHALL BE THE RESPONSIBILITY OF THE USER AND SHALL BE SUBJECT TO LEGAL ACTION. ALL RIGHTS ARE RESERVED. THIS DRAWING IS THE PROPERTY OF TECUMSEH DO BRASIL AND SHALL NOT BE LOANED, REPRODUCED, COPIED, OR IN ANY MANNER TRANSMITTED IN ANY FORM OR BY ANY MEANS, ELECTRONIC OR MECHANICAL, INCLUDING PHOTOCOPYING, RECORDING, OR BY ANY INFORMATION STORAGE AND RETRIEVAL SYSTEM. ANY UNAUTHORIZED REPRODUCTION OR USE SHALL BE THE RESPONSIBILITY OF THE USER AND SHALL BE SUBJECT TO LEGAL ACTION. ALL RIGHTS ARE RESERVED.

THIRD ANGLE PROJECTION
UNITS: mm
DRAWING SIZE: A2
O. A. SYMBOLS AS PROCEDURE 2.01.031 TECUMSEH OF BRAZIL
★ = CATEGORY I
▲ = CATEGORY II
■ = CATEGORY III
□ = CATEGORY IV

Tecumseh

NAME: SALES COMPRESSOR
PART NO.: DCTC025
SCALE: 1:1
PAGE: 1/1
DATE: 09-06-15
FAMILY: TC