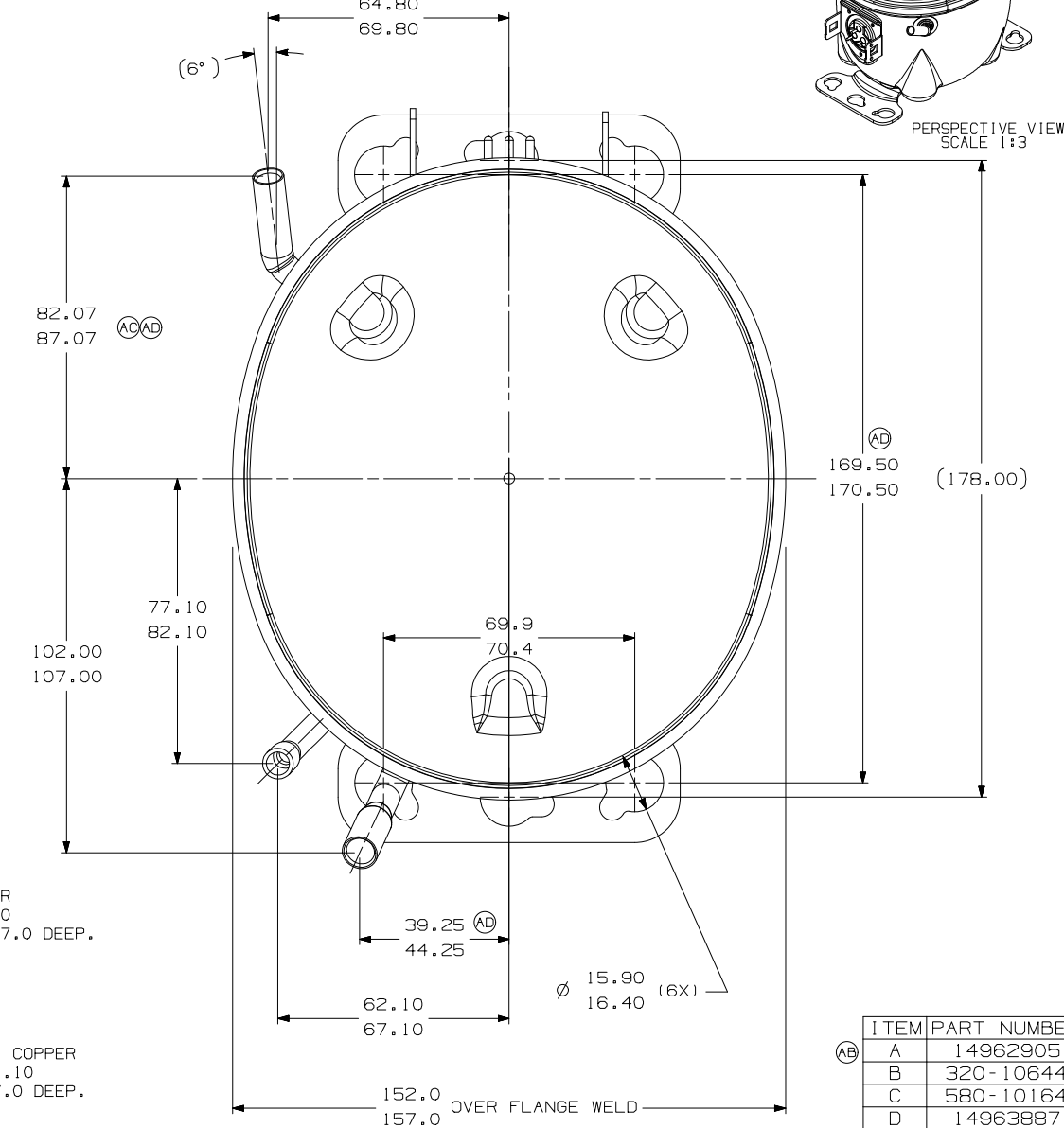
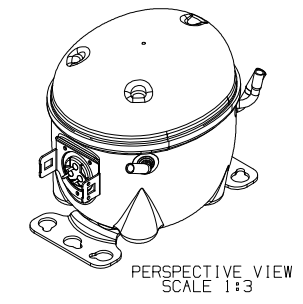


USE ONLY
O.D. 7.89
END I.D. 6.45-6.55 X 15.0-17.0 DEEP.
PLUG 40.



DISCHARGE CONNECTOR - COPPER
O.D. 7.00-7.10 - WALL 0.90-1.10
END I.D. 6.45-6.55 X 15.0-17.0 DEEP.
PLUG 40

USE ONLY SUCTION CONNECTOR - COPPER
O.D. 7.89-7.99 - WALL 0.90-1.10
END I.D. 8.00-8.10 X 15.0-17.0 DEEP.
PLUG 3.

- NOTES
- 1- IF SPECIFIED IN BM. ASSEMBLE PARTS AS SHOWN.
 - 2- SEE SPEC. "A-B" & A-C FOR PROCESS.
 - 3- FOR SUPPLIER ENVIRONMENTAL REGULATORY REQUIREMENTS, SEE TECUMSEH GLOBAL SPEC. 08
 - 4- TUBES OF SUCTION, DISCHARGE AND PROCESS MUST BE FREE OF INK ON 15.8mm (5/8") FROM TOP OF THE TUBES AS SPEC. TECUMSEH AB-4.

ITEM	PART NUMBER
A	14962905
B	320-10644
C	580-10164
D	14963887
E	14947663

REV	DATE	BY	CHKD	DESCRIPTION
B7	106.9-111.9			
B3	130.5-135.5			
D1	189.8-170.2			
E4	110.3-115.3			
F7	171.6-174.6			
3E	320-10644			
4E	14962905			
7F	14962905			
B1	LIBERACAO			

THIRD ANGLE PROJECTION

UNITS: mm

DRAWING SIZE: A2

PROJ. A SYMBOLS AS PROCEDURE 2.01.031 TECUMSEH OF BRAZIL

★ = CATEGORY I
 ■ = CATEGORY II
 ▲ = CATEGORY III
 ◆ = CATEGORY IV

NAME: SALES COMPRESSOR

PART NO.: DCTC059

DWN. A. MARCOS	CHK. RAMIRO	APR. ZANATTA	SCALE 1:1	PAGE 1/1
DATE 03-09-18	REF.		FAMILY	TC

