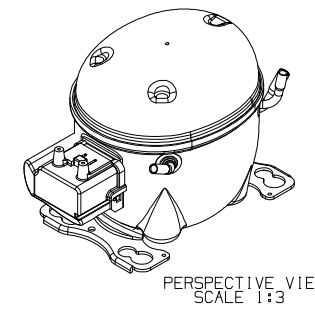


USE ONLY
O.D. 7.89
END I.D. 6.45-6.55 X 15.0-17.0 DEEP.
PLUG 40.

DISCHARGE CONNECTOR - COPPER
O.D. 7.00-7.10 - WALL 0.90-1.10
END I.D. 6.45-6.55 X 15.0-17.0 DEEP.
PLUG 40

USE ONLY SUCTION CONNECTOR - COPPER
O.D. 7.89-7.99 - WALL 0.90-1.10
END I.D. 8.00-8.10 X 15.0-17.0 DEEP.
PLUG 3.



- NOTES
- 1- IF SPECIFIED IN BM, ASSEMBLE PARTS AS SHOWN.
 - 2- SEE SPEC. "A-B" & A-C FOR PROCESS.
 - 3- FOR SUPPLIER ENVIRONMENTAL REGULATORY REQUIREMENTS, SEE TECUMSEH GLOBAL SPEC. 08
 - 4- TUBES OF SUCTION, DISCHARGE AND PROCESS MUST BE FREE OF INK ON 15.8mm (5/8") FROM TOP OF THE TUBES AS SPEC. TECUMSEH AB-4.

AD	AC	AB	MA	LT	LC	CH	DATE
3F	5E	5E	5E	5E	5E	5E	5E
AD	AC	AB	MA	LT	LC	CH	DATE
3F	5E	5E	5E	5E	5E	5E	5E
AD	AC	AB	MA	LT	LC	CH	DATE
3F	5E	5E	5E	5E	5E	5E	5E
AD	AC	AB	MA	LT	LC	CH	DATE
3F	5E	5E	5E	5E	5E	5E	5E

THIRD ANGLE PROJECTION

UNITS: mm

DRAWING SIZE: A2

ITEM PART NUMBER

AC	A	14962905
B	320-10523	
C	580-10164	
D	14963887	
E	14947663	

SALES COMPRESSOR

PART NO. DCTC038

DWN.	CK.	APR.	SCALE	PAGE
A. MARCOS	MARCOS FONTES	WALTER CORREA	1:1	1/1
DATE	REF.	FAMILY		
15-06-15		TC		