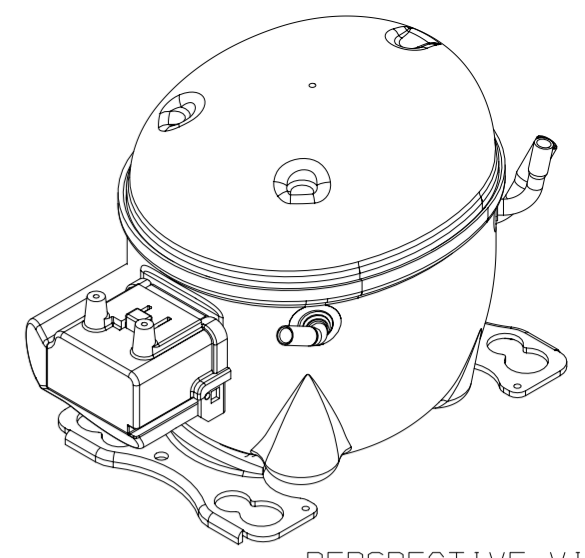
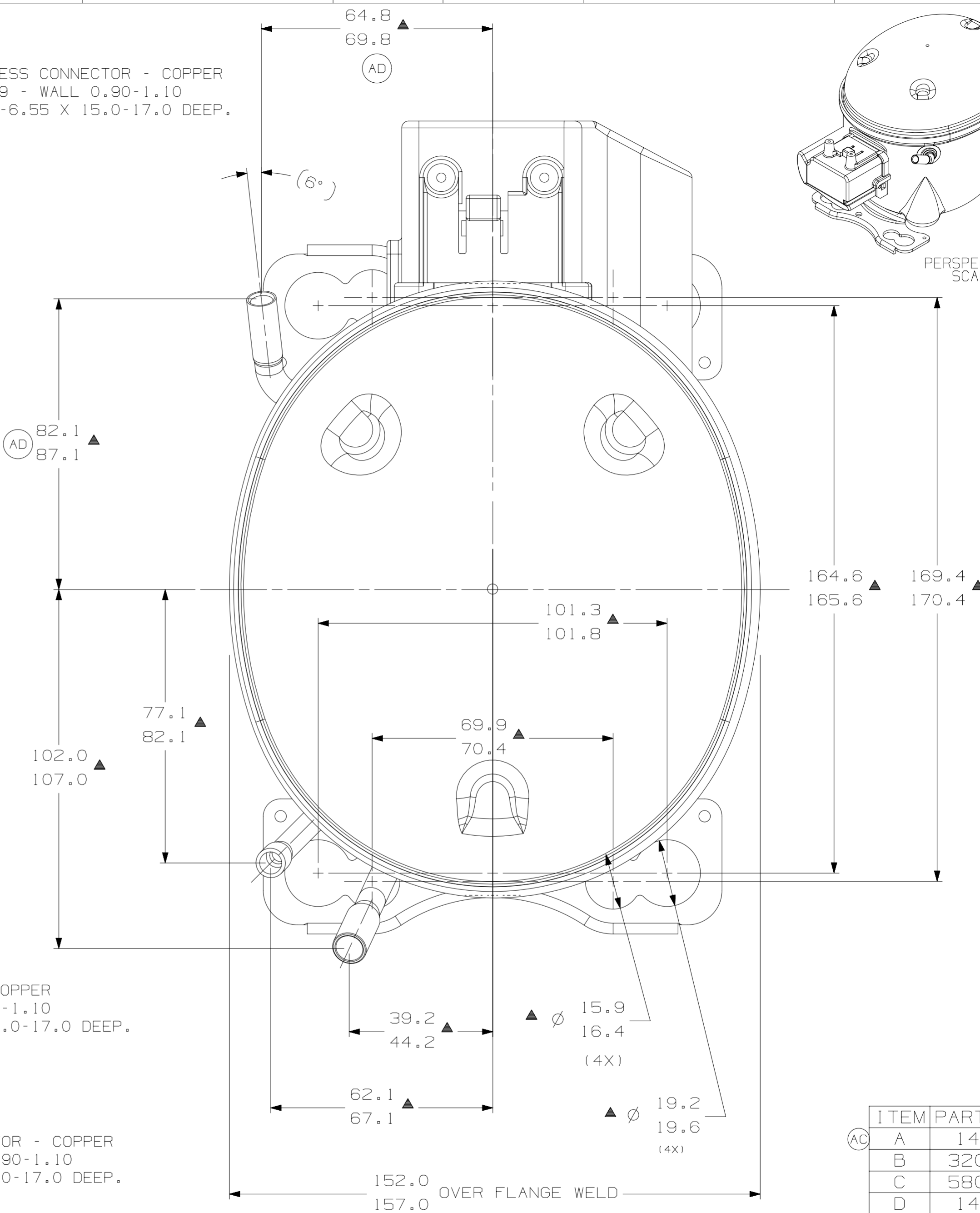


USE ONLY PROCESS CONNECTOR - COPPER
 O.D. 7.89-7.99 - WALL 0.90-1.10
 END I.D. 6.45-6.55 X 15.0-17.0 DEEP.
 PLUG 40.

DISCHARGE CONNECTOR - COPPER
 O.D. 7.00-7.10 - WALL 0.90-1.10
 END I.D. 6.45-6.55 X 15.0-17.0 DEEP.
 PLUG 40

USE ONLY SUCTION CONNECTOR - COPPER
 O.D. 7.89-7.99 - WALL 0.90-1.10
 END I.D. 8.00-8.10 X 15.0-17.0 DEEP.
 PLUG 3.



PERSPECTIVE VIEW
 SCALE 1:3

- NOTES
- 1- IF SPECIFIED IN BM. ASSEMBLE PARTS AS SHOWN.
 - 2- SEE SPEC. "A-B" & A-C FOR PROCESS.
 - 3- FOR SUPPLIER ENVIRONMENTAL REGULATORY REQUIREMENTS, SEE TECUMSEH GLOBAL SPEC. 08
 - 4- TUBES OF SUCTION, DISCHARGE AND PROCESS MUST BE FREE OF INK ON 15.8mm (5/8") FROM TOP OF THE TUBES AS SPEC. TECUMSEH AB-4.

ITEM	PART NUMBER
AC A	14962905
B	320-10523
C	580-10164
D	14963887
E	14947663

REV	DESCRIPTION	DATE	BY	CHKD
3F	ATUALIZADA	25-08-19	AMR	MF
5E	ERA: 320-10176	08/08/2018	AMR	MF
7F	ERA: 167.0-170.0	25-08-19	AMR	MF
7F	ERA: 320-10176	08/08/2018	AMR	MF
7F	ERA: 167.0-170.0	25-08-19	AMR	MF
AC	ERA: 320-10176	08/08/2018	AMR	MF
BI	ERA: 167.0-170.0	25-08-19	AMR	MF
AB	ERA: 320-10176	08/08/2018	AMR	MF
F5	ERA: 167.0-170.0	25-08-19	AMR	MF
AA	ERA: 320-10176	08/08/2018	AMR	MF
AA	ERA: 167.0-170.0	25-08-19	AMR	MF

THIRD ANGLE PROJECTION

UNITS: mm

DRAWING SIZE: A2

0. A SYMBOLS AS PROCEDURE 2.01.031 TECUMSEH OF BRAZIL

★ = CATEGORY I
 ▲ = CATEGORY II
 ■ = CATEGORY III
 ● = CATEGORY IV

DO NOT SCALE THIS DRAWING. ALL FERROUS MATERIALS MUST NOT BE MAGNETIZED AS RECEIVED OR AT COMPRESSOR ASSEMBLY

NAME: SALES COMPRESSOR

PART NO.: DCTC038

SCALE: 1:1

PAGE: 1/1

DATE: 15-06-15

REF.

FAMILY: TC