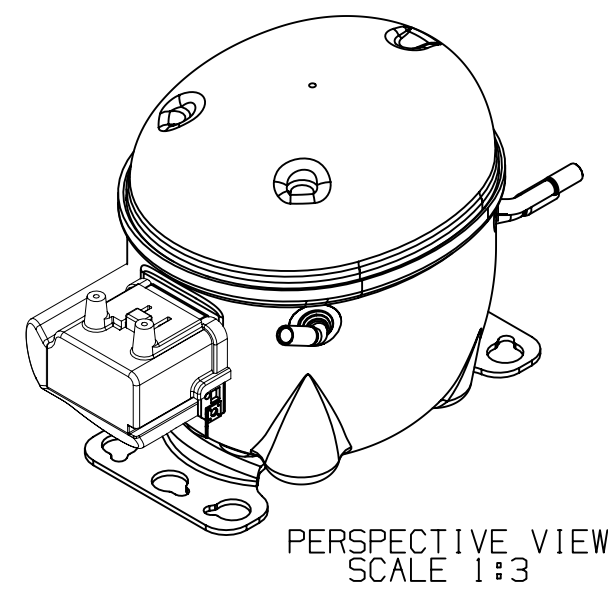
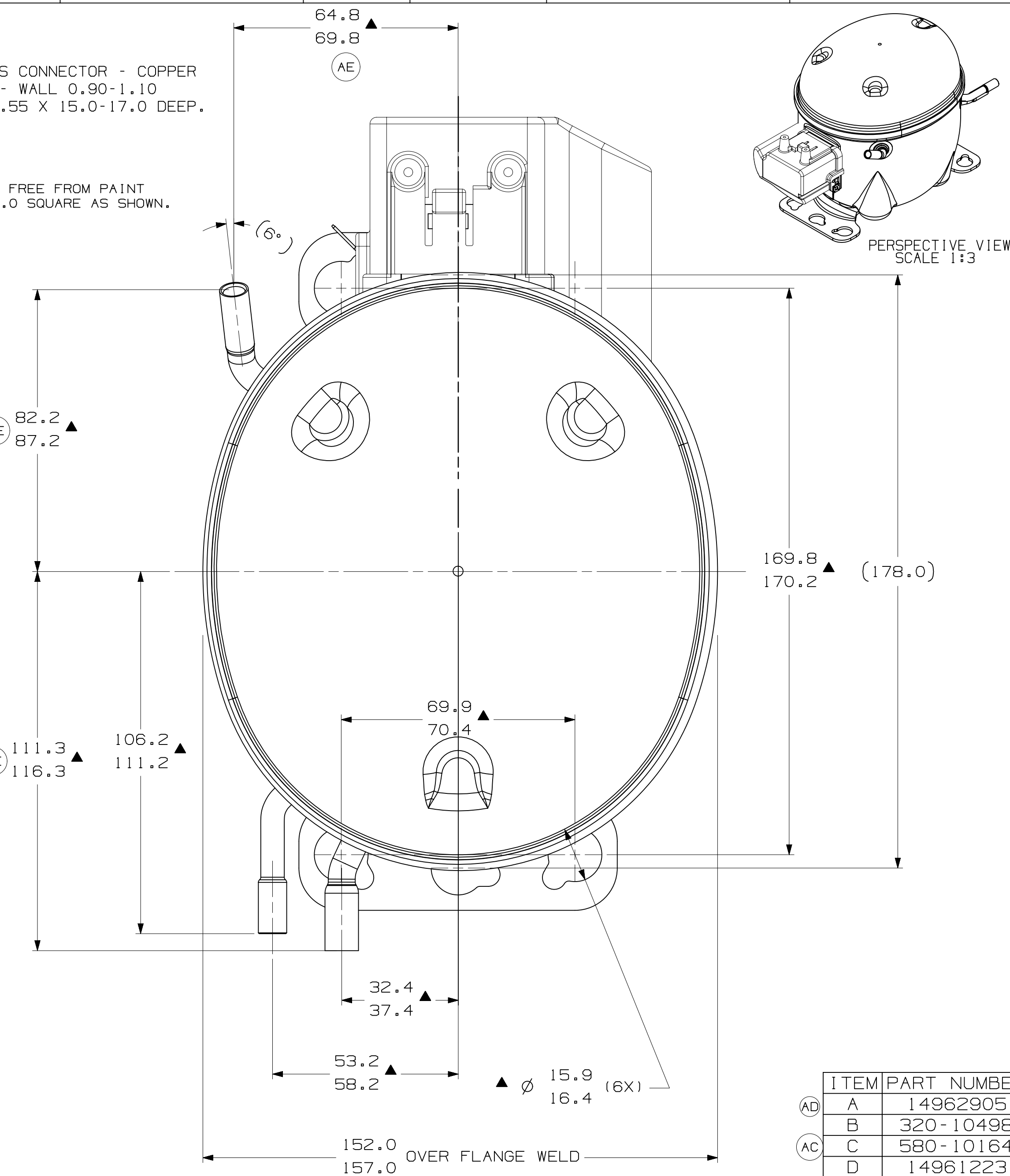


E
 USE ONLY PROCESS CONNECTOR - COPPER
 O.D. 7.89-7.99 - WALL 0.90-1.10
 END I.D. 6.45-6.55 X 15.0-17.0 DEEP.
 PLUG 40.

THIS AREA MUST BE FREE FROM PAINT
 WITHIN A 10.0 X 8.0 SQUARE AS SHOWN.

C
 DISCHARGE CONNECTOR - COPPER
 O.D. 7.00-7.10 - WALL 0.90-1.10
 END I.D. 6.45-6.55 X 15.0-17.0 DEEP.
 PLUG. 40

D
 USE ONLY SUCTION CONNECTOR - COPPER
 O.D. 7.89-7.99 - WALL 0.90-1.10
 END I.D. 8.00-8.10 X 15.0-17.0 DEEP.
 PLUG 3.



NOTES
 1- IF SPECIFIED IN BM. ASSEMBLE PARTS AS SHOWN.
 2- SEE SPEC. "A-B" & A-C FOR PROCESS.
 3- FOR SUPPLIER ENVIRONMENTAL REGULATORY REQUIREMENTS, SEE TECUMSEH GLOBAL SPEC. 08
 4- TUBES OF SUCTION, DISCHARGE AND PROCESS MUST BE FREE OF INK ON 15.8mm (5/8") FROM TOP OF THE TUBES AS SPEC. TECUMSEH AB-4.

ITEM	PART NUMBER
AD	A 14962905
B	320-10498
AC	C 580-10164
D	14961223
E	14947663

REV	DESCRIPTION	DATE	BY	CHKD
EC98010	12-07-21	CIAS. CS.		
EC90671	25-06-19	CADEM	R. AMP	WALTER AMP
EC71120	13-08-16			
EC70408	17-02-16			
EC65941	25-11-15	AMP		MF

THIS DRAWING OR PRINT (1) IS THE PROPERTY OF TECUMSEH DO BRASIL LTDA. AND CONTAINS PROPRIETARY AND CONFIDENTIAL INFORMATION BELONGING TO TECUMSEH DO BRASIL. IT IS TO BE USED ONLY FOR THE SPECIFIC PURPOSE AND SPECIFIC CONDITION THAT NEITHER IT NOR THE INFORMATION CONTAINED THEREIN OR DISCLOSED OR MADE AVAILABLE TO OTHERS WITHOUT THE EXPRESS AND SPECIFIC WRITTEN CONSENT OF TECUMSEH DO BRASIL AND NOT BE COPIED OR TO ANY EXTENT WITH-OUT THE WRITTEN CONSENT AND (1) SHALL BE RETURNED BY THE RECIPIENT LATTER'S REQUEST PROMPTLY AFTER SUCH REQUEST IS MADE.

DO NOT SCALE THIS DRAWING. ALL FER-ROUS MATERIALS MUST NOT BE MAGNETIZED AS RECEIVED OR AT ASSEMBLY

THIRD ANGLE PROJECTION

UNITS: mm

DRAWING SIZE: A2

0. A. SYMBOLS AS PROCEDURE 2.01.031 TECUMSEH OF BRAZIL

★ = CATEGORY I
 ▲ = CATEGORY II
 ■ = CATEGORY III
 □ = CATEGORY IV

Tecumseh

NAME: SALES COMPRESSOR

PART NO.: DCTC025

SCALE: 1:1

PAGE: 1/1

DATE: 09-06-15

REF.

FAMILY: TC