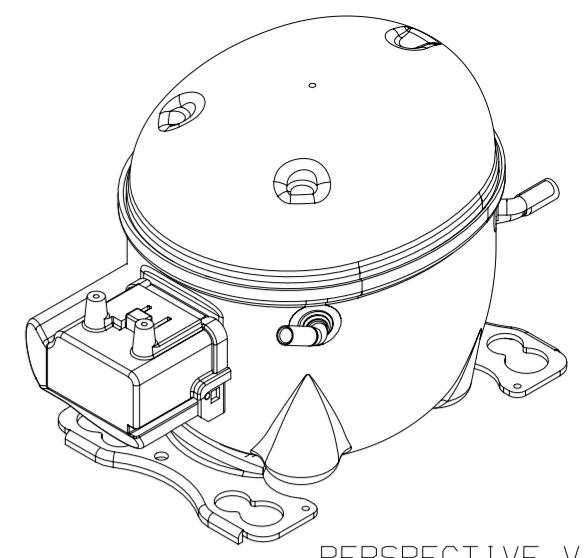
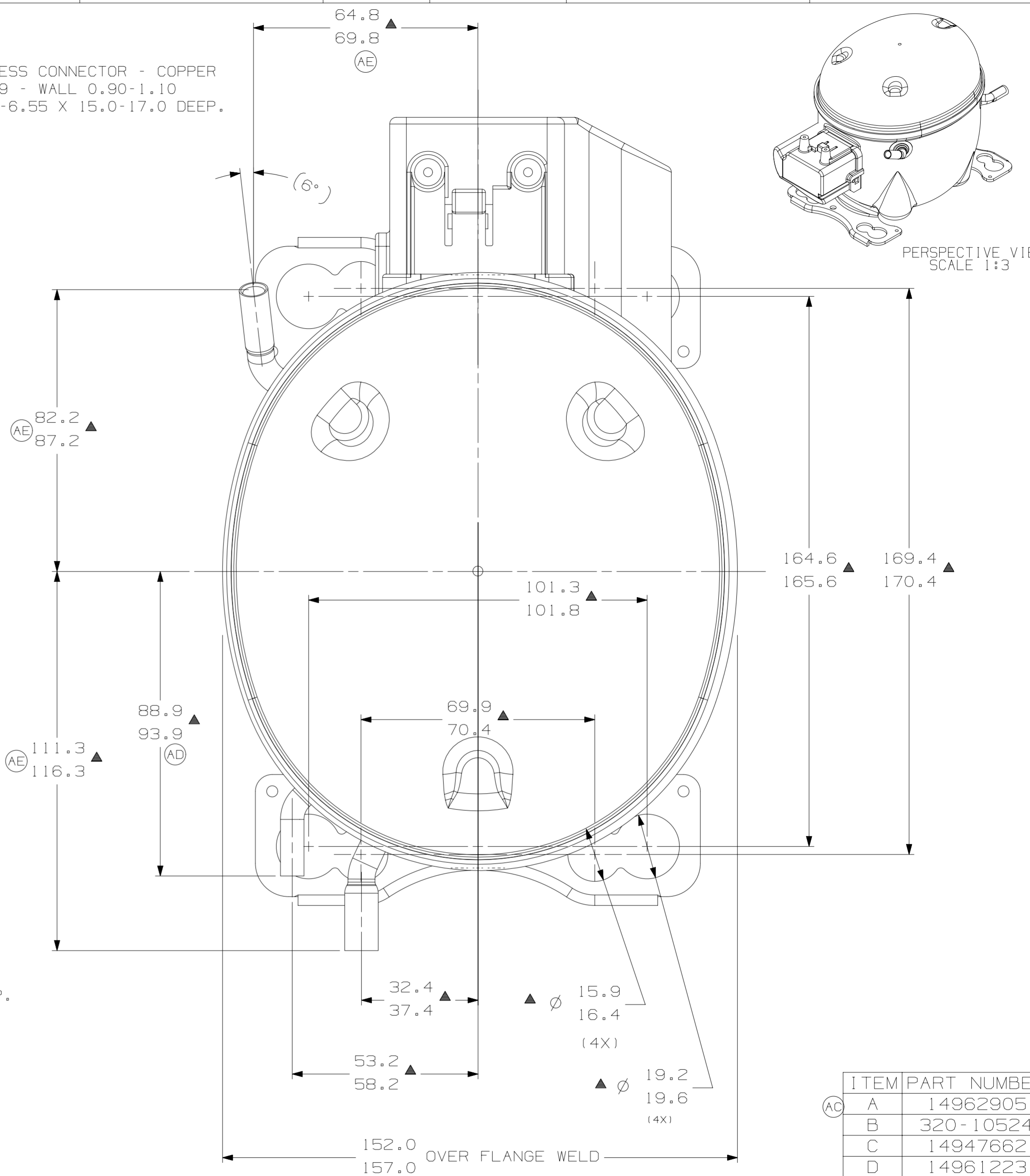


USE ONLY PROCESS CONNECTOR - COPPER  
 O.D. 7.89-7.99 - WALL 0.90-1.10  
 END I.D. 6.45-6.55 X 15.0-17.0 DEEP.  
 PLUG 40.

DISCHARGE CONNECTOR - COPPER  
 O.D. 7.00-7.10 - WALL 0.90-1.10  
 END I.D. 4.92-5.02 X 15.0-17.0 DEEP.  
 PLUG. 1

USE ONLY SUCTION CONNECTOR - COPPER  
 O.D. 7.89-7.99 - WALL 0.90-1.10  
 END I.D. 8.00-8.10 X 15.0-17.0 DEEP.  
 PLUG 3.



PERSPECTIVE VIEW  
 SCALE 1:3

- NOTES
- 1- IF SPECIFIED IN BM. ASSEMBLE PARTS AS SHOWN.
  - 2- SEE SPEC. "A-B" & A-C FOR PROCESS.
  - 3- FOR SUPPLIER ENVIRONMENTAL REGULATORY REQUIREMENTS, SEE TECUMSEH GLOBAL SPEC. 08
  - 4- TUBES OF SUCTION, DISCHARGE AND PROCESS MUST BE FREE OF INK ON 15.8mm (5/8 ") FROM TOP OF THE TUBES AS SPEC. TECUMSEH AB-4.

ITEM	PART NUMBER
(AC) A	14962905
B	320-10524
C	14947662
D	14961223
E	14947663

REV.	DESCRIPTION	DATE	BY	CHKD.	APP.
AE	ATUALIZADA 320-10524	12-07-21	CIAS. CS.		
AD	ATUALIZADA 320-10524	30-06-21	CIAS. CFS.		
AC	ERA: 167.0-170.0 PASSOU PARA 14962905	25-06-19	CADEM		
AB	RETIRADA AREA DE PINTURA DO FURO DO FENCE	08/08/2018	CADEM R.		
AA	LIBERACAO	23-11-15	AMR MF		

THIRD ANGLE PROJECTION

UNITS: mm

DRAWING SIZE: A2

0. A SYMBOLS AS PROCEDURE 2.01.031 TECUMSEH OF BRAZIL

★ = CATEGORY I  
 ▲ = CATEGORY II  
 ■ = CATEGORY III  
 ● = CATEGORY IV

DO NOT SCALE THIS DRAWING. ALL FERROUS MATERIALS MUST NOT BE MAGNETIZED AS RECEIVED OR AT COMPRESSOR ASSEMBLY

NAME: SALES COMPRESSOR

PART NO.: DCTC039

SCALE: 1:1

PAGE: 1/1

DATE: 15-06-15

REF.

FAMILY: TC