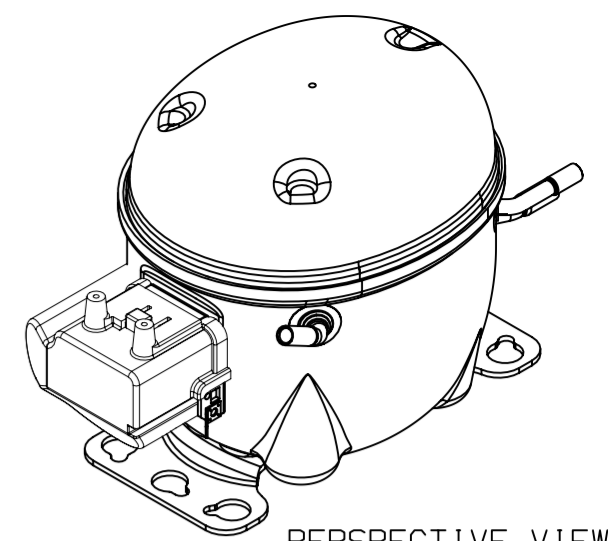
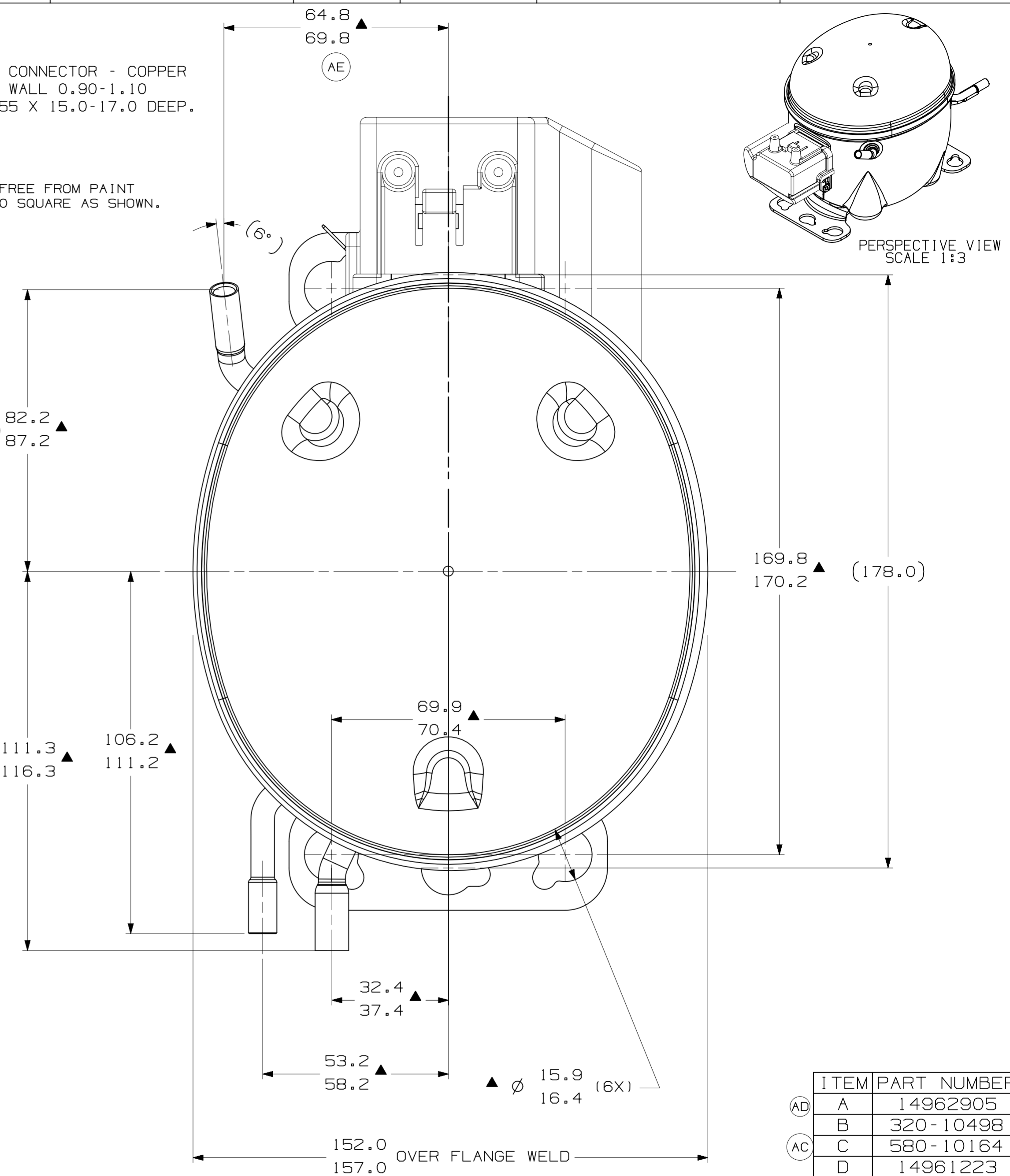


E  
USE ONLY PROCESS CONNECTOR - COPPER  
O.D. 7.89-7.99 - WALL 0.90-1.10  
END I.D. 6.45-6.55 X 15.0-17.0 DEEP.  
PLUG 40.

THIS AREA MUST BE FREE FROM PAINT  
WITHIN A 10.0 X 8.0 SQUARE AS SHOWN.

C  
DISCHARGE CONNECTOR - COPPER  
O.D. 7.00-7.10 - WALL 0.90-1.10  
END I.D. 6.45-6.55 X 15.0-17.0 DEEP.  
PLUG. 40

D  
USE ONLY SUCTION CONNECTOR - COPPER  
O.D. 7.89-7.99 - WALL 0.90-1.10  
END I.D. 8.00-8.10 X 15.0-17.0 DEEP.  
PLUG 3.



NOTES  
1- IF SPECIFIED IN BM. ASSEMBLE PARTS AS SHOWN.  
2- SEE SPEC. "A-B" & A-C FOR PROCESS.  
3- FOR SUPPLIER ENVIRONMENTAL REGULATORY REQUIREMENTS, SEE TECUMSEH GLOBAL SPEC. 08  
4- TUBES OF SUCTION, DISCHARGE AND PROCESS MUST BE FREE OF INK ON 15.8mm (5/8") FROM TOP OF THE TUBES AS SPEC. TECUMSEH AB-4.

ITEM	PART NUMBER
AD	A 14962905
B	320-10498
AC	C 580-10164
D	14961223
E	14947663

REV	DATE	BY	CHKD	DESCRIPTION
EC98010	12-07-21	CIAS. CS.		ATUALIZADA 320-10498
EC90671	25-06-19	CADEM		ERA: 171.6-174.6 ERA: 320-10176 PASSOU PARA 14962905
EC71120	13-08-16	R. AMP. WALTER		ERA: 14961219
EC70408	17-02-16	R. AMP. WALTER		ACRESCENTADO A CATEGORIA DE PROTEÇÃO DE TERMINAIS
EC65941	25-11-15	AMP. WALTER		LIBERACAO

THIRD ANGLE PROJECTION  
UNITS: mm  
DRAWING SIZE: A2

0. A. SYMBOLS AS PROCEDURE 2.01.031 TECUMSEH OF BRAZIL  
★ = CATEGORY I  
▲ = CATEGORY II  
■ = CATEGORY III  
□ = CATEGORY IV

DO NOT SCALE THIS DRAWING. ALL FERROUS MATERIALS MUST NOT BE MAGNETIZED AS RECEIVED OR AT ASSEMBLY PROMPTLY AFTER SUCH REQUEST IS MADE.

SALES COMPRESSOR  
DCTC025

DATE: 09-06-15  
SCALE: 1:1  
PAGE: 1/1  
FAMILY: TC