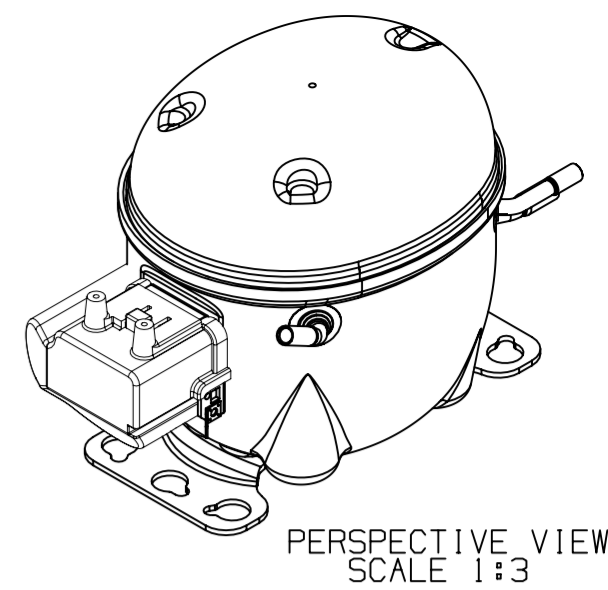
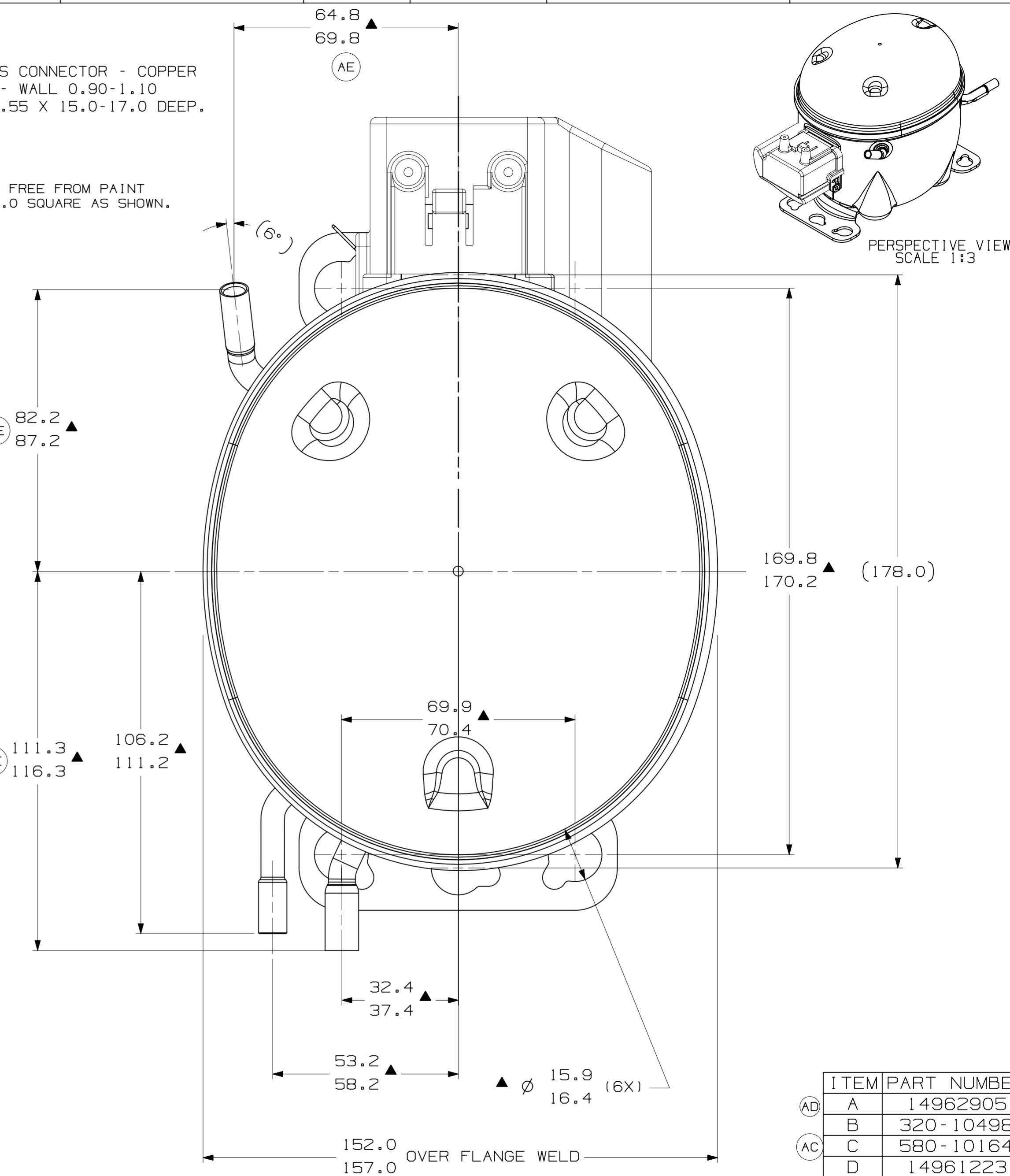


E
USE ONLY PROCESS CONNECTOR - COPPER
O.D. 7.89-7.99 - WALL 0.90-1.10
END I.D. 6.45-6.55 X 15.0-17.0 DEEP.
PLUG 40.

THIS AREA MUST BE FREE FROM PAINT
WITHIN A 10.0 X 8.0 SQUARE AS SHOWN.

C
DISCHARGE CONNECTOR - COPPER
O.D. 7.00-7.10 - WALL 0.90-1.10
END I.D. 6.45-6.55 X 15.0-17.0 DEEP.
PLUG 40

D
USE ONLY SUCTION CONNECTOR - COPPER
O.D. 7.89-7.99 - WALL 0.90-1.10
END I.D. 8.00-8.10 X 15.0-17.0 DEEP.
PLUG 3.



ITEM	PART NUMBER
AD	A 14962905
B	320-10498
AC	C 580-10164
D	14961223
E	14947663

NOTES
1- IF SPECIFIED IN BM. ASSEMBLE PARTS AS SHOWN.
2- SEE SPEC. "A-B" & A-C FOR PROCESS.
3- FOR SUPPLIER ENVIRONMENTAL REGULATORY REQUIREMENTS, SEE TECUMSEH GLOBAL SPEC. 08
4- TUBES OF SUCTION, DISCHARGE AND PROCESS MUST BE FREE OF INK ON 15.8mm (5/8") FROM TOP OF THE TUBES AS SPEC. TECUMSEH AB-4.

REV	DESCRIPTION	DATE	BY	CHKD
01	ATUALIZADA	12-07-21	CIAS. CS.	
02	ERA: 171.6-174.6	25-06-19	CADEM	
03	ERA: 320-10176	13-08-16	R. AMP. WALTER	
04	PASSOU PARA	17-02-16	R. AMP. WALTER	
05	14962905			
06	ERA: 14961219			
07	ACRESCENTADO			
08	ACRESCENTADO			
09	PROTECTOR DE			
10	TERMINAIS			
11	LIBERACAO			

THIRD ANGLE PROJECTION

UNITS: mm

DRAWING SIZE: A2

0. A SYMBOLS AS PROCEDURE 2.01.031 TECUMSEH OF BRAZIL

NAME: SALES COMPRESSOR

PART NO.: DCTC025

SCALE: 1:1

PAGE: 1/1

DATE: 09-06-15

REF.

FAMILY: TC