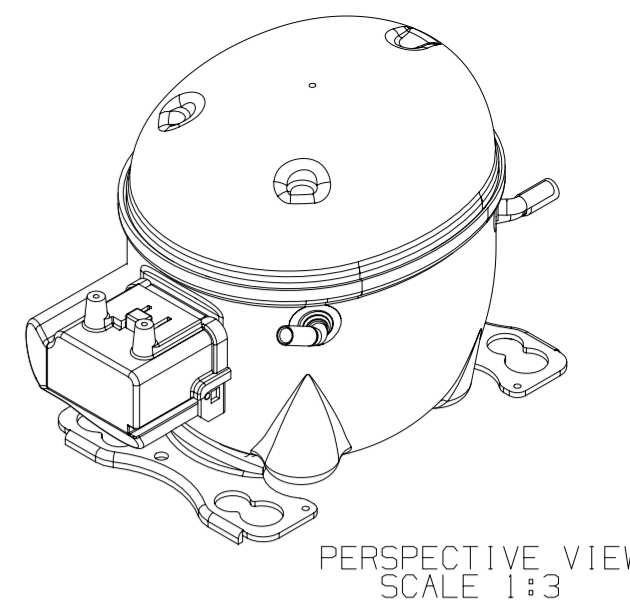
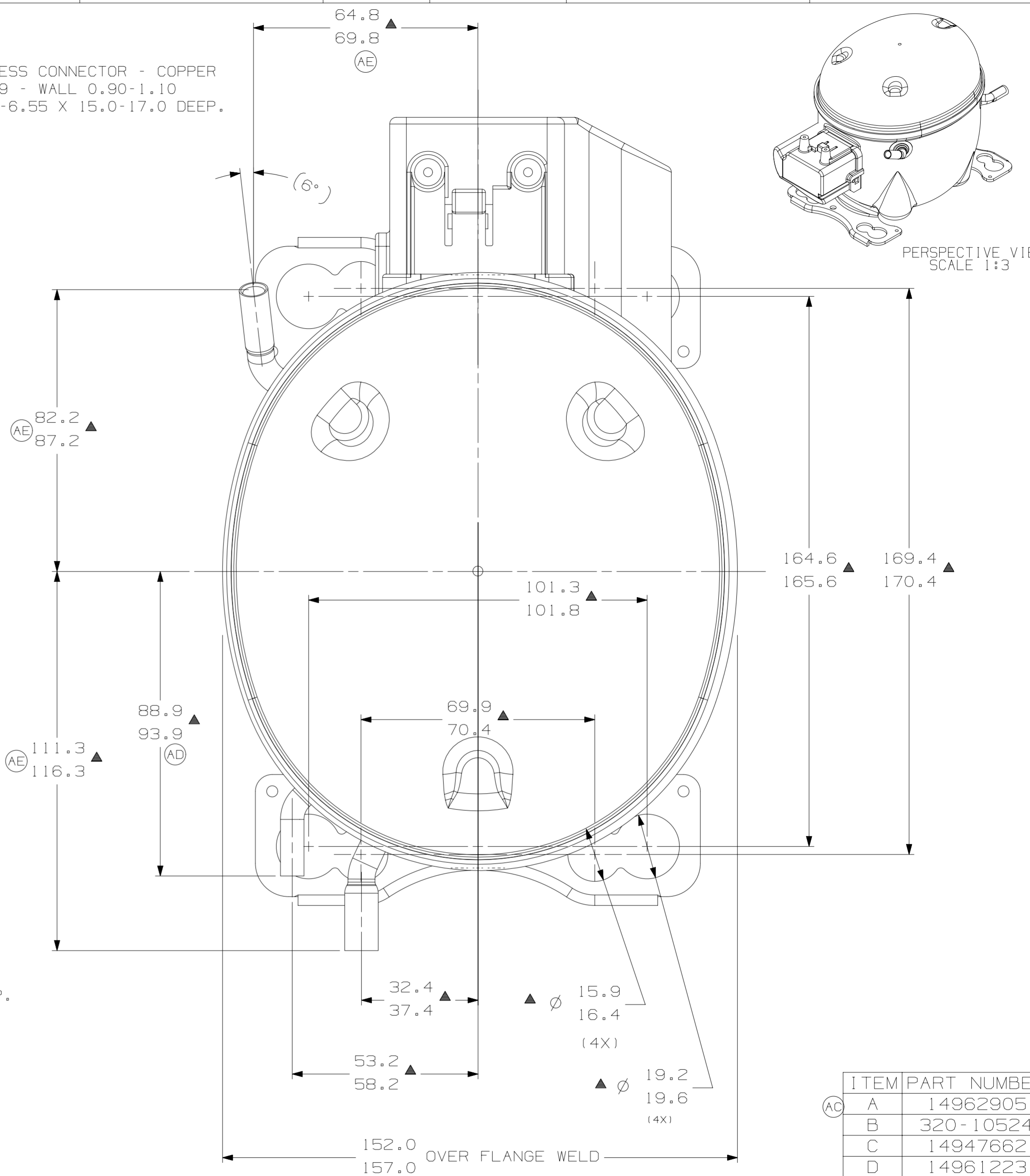


USE ONLY PROCESS CONNECTOR - COPPER  
 O.D. 7.89-7.99 - WALL 0.90-1.10  
 END I.D. 6.45-6.55 X 15.0-17.0 DEEP.  
 PLUG 40.

DISCHARGE CONNECTOR - COPPER  
 O.D. 7.00-7.10 - WALL 0.90-1.10  
 END I.D. 4.92-5.02 X 15.0-17.0 DEEP.  
 PLUG 1

USE ONLY SUCTION CONNECTOR - COPPER  
 O.D. 7.89-7.99 - WALL 0.90-1.10  
 END I.D. 8.00-8.10 X 15.0-17.0 DEEP.  
 PLUG 3.



NOTES  
 1- IF SPECIFIED IN BM. ASSEMBLE PARTS AS SHOWN.  
 2- SEE SPEC. "A-B" & A-C FOR PROCESS.  
 3- FOR SUPPLIER ENVIRONMENTAL REGULATORY REQUIREMENTS, SEE TECUMSEH GLOBAL SPEC. 08  
 4- TUBES OF SUCTION, DISCHARGE AND PROCESS MUST BE FREE OF INK ON 15.8mm (5/8 ") FROM TOP OF THE TUBES AS SPEC. TECUMSEH AB-4.

ITEM	PART NUMBER
AC	A 14962905
	B 320-10524
	C 14947662
	D 14961223
	E 14947663

REV.	DESCRIPTION	DATE	BY	CHKD.	APP.
01	ATUALIZADA 320-10524	12-07-21	CIAS. CS.		
02	ATUALIZADA 320-10524	30-06-21	CIAS. CFS.		
03	ERA: 167.0-170.0 PASSOU PARA 14962905	25-06-19	CADEM R.		
04	RETIRADA AREA DE PINTURA DO FURO DO FENCE	08/08/2018	CADEM R.		
05	LIBERACAO	23-11-15	AMR MF		

THIRD ANGLE PROJECTION

UNITS: mm

DRAWING SIZE: A2

0. A SYMBOLS AS PROCEDURE 2.01.031 TECUMSEH OF BRAZIL

★ = CATEGORY I  
 ▲ = CATEGORY II  
 ■ = CATEGORY III  
 ● = CATEGORY IV

DO NOT SCALE THIS DRAWING. ALL FERROUS MATERIALS MUST NOT BE MAGNETIZED AS RECEIVED OR AT COMPRESSOR ASSEMBLY

**Tecumseh**

NAME: SALES COMPRESSOR PART NO.: DCTC039

SCALE: 1:1 PAGE: 1/1

DATE: 15-06-15 REF. FAMILY: TC