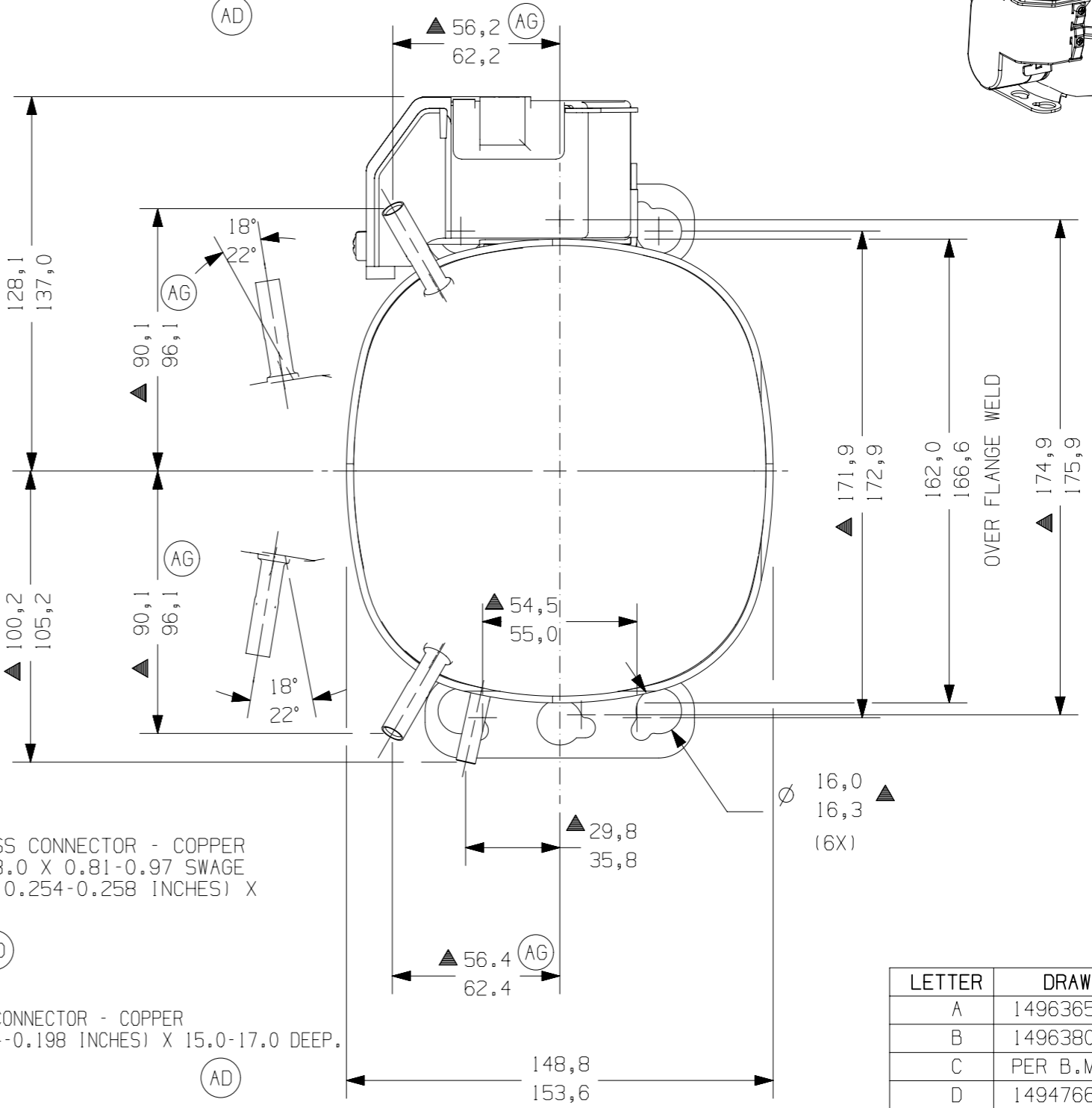
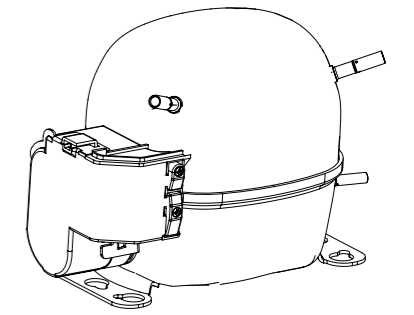


USE ONLY SUCTION CONNECTOR - COPPER
 WALL O.D. 7.9-8.0 X 0.81-0.97 SWAGE
 I.D. 6.45-6.55(0.254-0.258 INCHES) X 15.0-17.0 DEEP.
 PLUG 2.



USE ONLY PROCESS CONNECTOR - COPPER
 WALL O.D. 7.9-8.0 X 0.81-0.97 SWAGE
 I.D. 6.45-6.55(0.254-0.258 INCHES) X 15.0-17.0 DEEP.
 PLUG 2.

USE ONLY DISCHARGE CONNECTOR - COPPER
 I.D. 4.92-5.02(0.194-0.198 INCHES) X 15.0-17.0 DEEP.
 PLUG 1.



NOTES:
 1-SEE SPEC. IN BM. ASSEMBLE PARTS AS SHOWN.
 2-SEE SPEC. "A-B" & A-C FOR PROCESS.
 3-FOR SUPPLIER ENVIRONMENTAL REGULATORY REQUIREMENTS, SEE TECUMSEH GLOBAL SPEC. 08
 4-TUBES OF SUCTION, DISCHARGE AND PROCESS MUST BE FREE OF INK ON 15.8mm (5/8") FROM TOP OF THE TUBES AS SPEC. TECUMSEH #A-B4.

LETTER	DRAWING NR.
A	14963651 (AB) (AD)
B	14963800 (AB)
C	PER B.M.
D	14947663 (AD)
E	14947663 (AD)

REV	DESCRIPTION	DATE	BY	CHKD	APPV
2B	ATUALIZADA 14963651	01-07-21	CIAS. CS.		
2D		08/06/2018	CADEM R.		
3C		08-07-15	AMP WC		
4C		07/03/14	AMP MF		
5D		AMP MF			
AG		16/09/13			
AF					
AE					
AD					
AC					
AB					
AA					
LT					

THIS DRAWING OR PRINT (1) IS THE PROPERTY OF TECUMSEH DO BRASIL LTDA. AND CONTAINS PROPRIETARY AND CONFIDENTIAL INFORMATION BELONGING TO TECUMSEH DO BRASIL. (1) IS MADE AVAILABLE TO THE RECIPIENT ON THE EXPRESS AND SPECIFIC CONDITION THAT NEITHER IT NOR THE INFORMATION CONTAINED THEREON OR DISCLOSED OR MADE AVAILABLE TO OTHERS WITHOUT THE EXPRESS AND SPECIFIC WRITTEN CONSENT OF TECUMSEH DO BRASIL AND THAT SUCH INFORMATION ONLY AS EXPRESSLY AND SPECIFICALLY APPROVED IN WRITING BY TECUMSEH DO BRASIL AND NOT OTHERWISE, (1) IS BELONGING TO TECUMSEH DO BRASIL. (1) IS OUT TECUMSEH DO BRASIL PRIOR EXPRESS AND SPECIFIC WRITTEN CONSENT AND (1) SHALL BE RETURNED BY THE RECIPIENT LATTER'S REQUEST PROMPTLY AFTER SUCH REQUEST IS MADE.

DO NOT SCALE THIS DRAWING. ALL FEROUS MATERIALS MUST NOT BE MAGNETIZED AS RECEIVED OR AT COMPRESSOR ASSEMBLY

THIRD ANGLE PROJECTION

UNITS: mm

DRAWING SIZE: A3

Q. A. SYMBOLS AS PROCEDURE 2.01.031 TECUMSEH OF BRAZIL

- ★ = CATEGORY I
- ▲ = CATEGORY II
- = CATEGORY III
- = CATEGORY IV

Tecumseh

NAME		PART NO.	
SALES COMPRESSOR		BRDCTH304	
DATE	REF.	SCALE	PAGE
30/01/07		1:2	1/1
		FAMILY	
		AZ-TH	