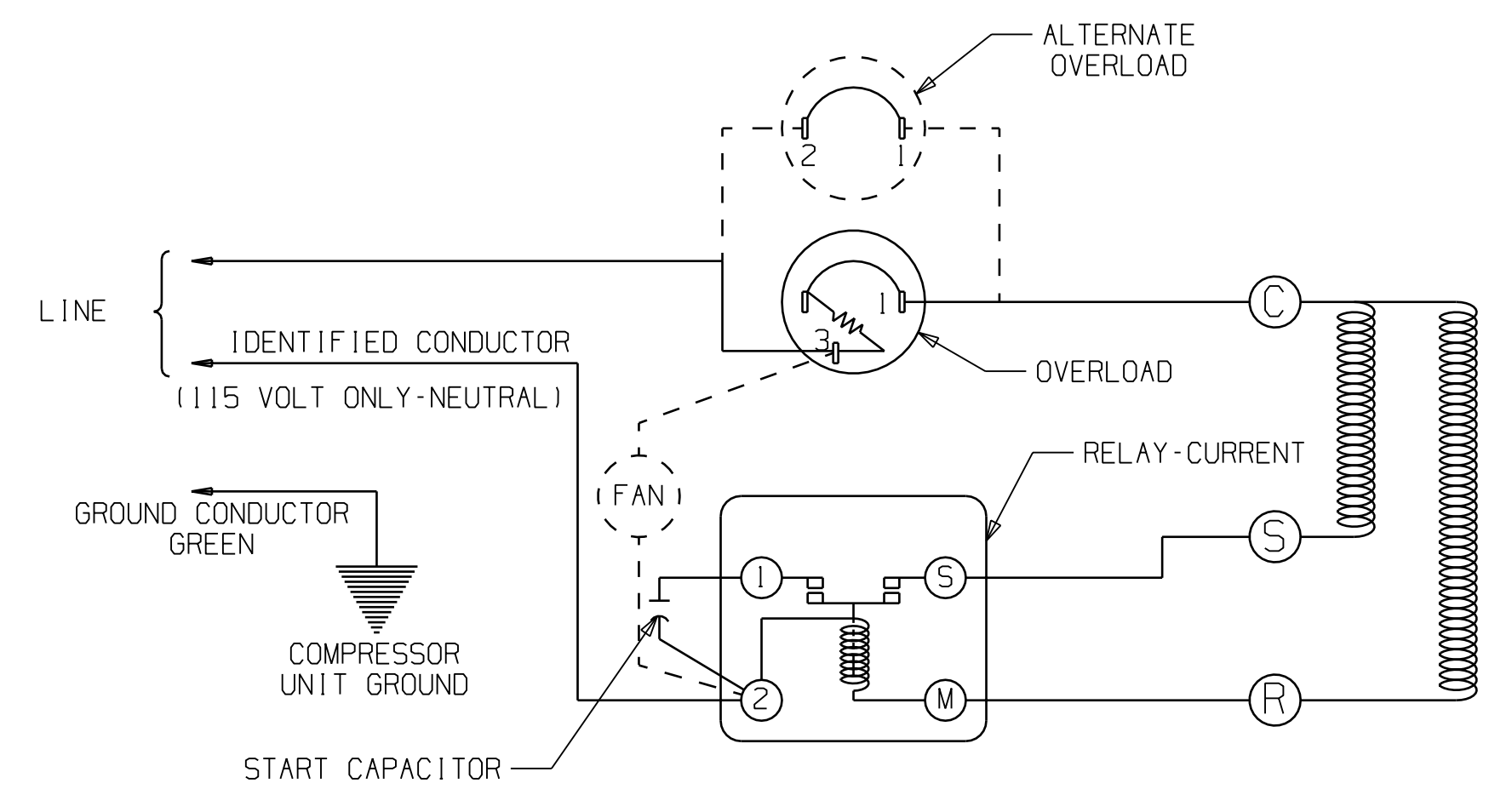
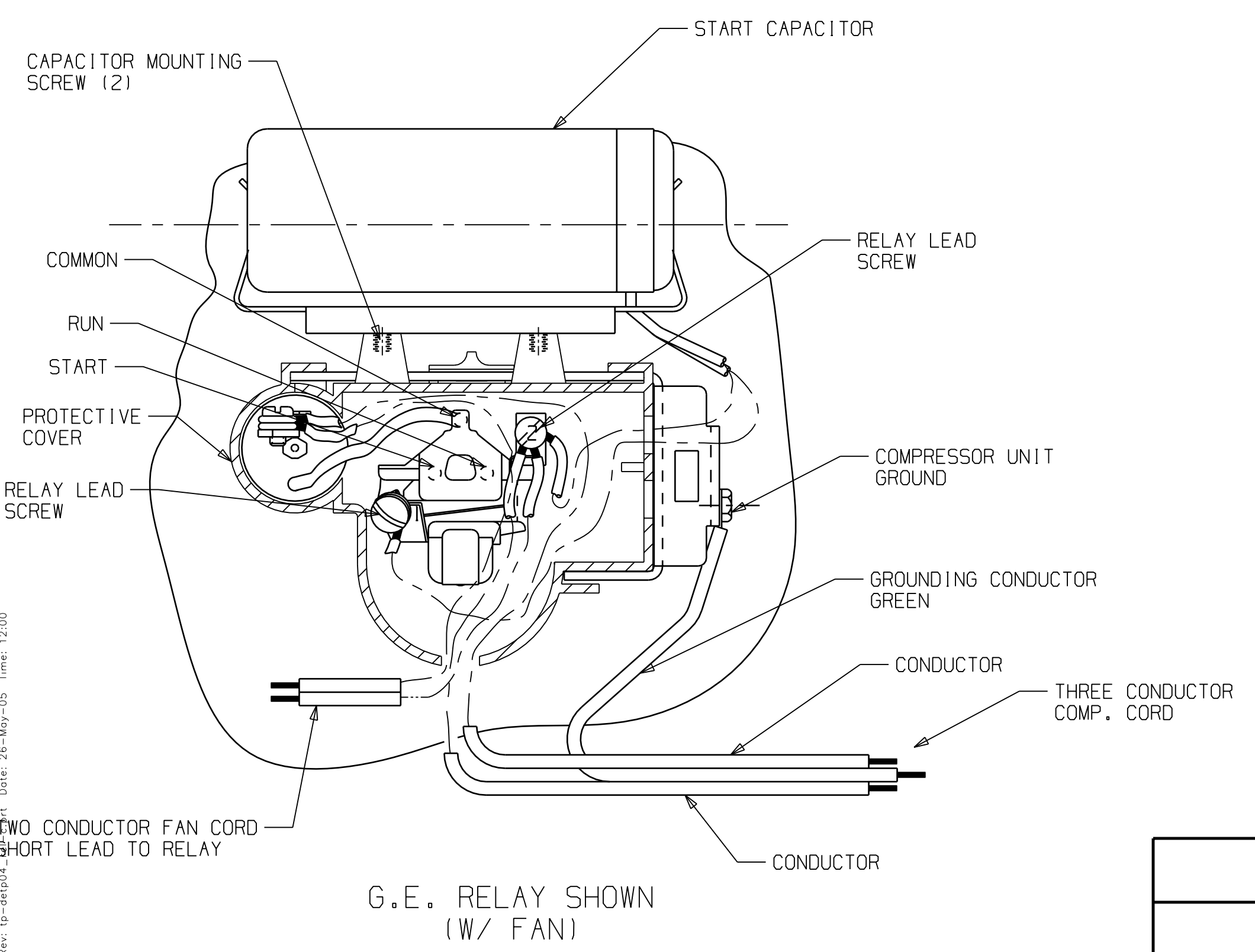


--NOTES--

1. WHEN FAN IS USED HOOK-UP AS SHOWN.
2. IDENTIFIED CONDUCTOR MAY BE WHITE OR RIBBED (115 VOLT ONLY-NEUTRAL).
3. ASSEMBLE PARTS AS SHOWN IF SPECIFIED ON B/M.

WARNING - WIRING DIAGRAM MUST BE FOLLOWED AS SHOWN. ANY MISWIRING CAN CAUSE SERIOUS ELECTRICAL HAZARD AND POTENTIAL DAMAGE OR RUPTURE OF COMPONENT ELECTRICAL PARTS.



O.A. SYMBOLS

TP

User: slucos Part/Rev: tp-detp04 Date: 26-May-05 Time: 12:00

| | | | | | | | | | |
|---|----|-------------|--------|------|----|-----------|--|--------------------|---|
| REL | LC | #237130-001 | CHANGE | DATE | .. | DIS. CODE | NAME | ELECTRICAL HOOK-UP | |
| <small>THIS DRAWING OR PRINT PREPARED BY THE COMPANY, TECUMSEH, AND CONTAINS INFORMATION BELONGING TO TECUMSEH. ALL INFORMATION IS TO BE KEPT CONFIDENTIAL AND NOT TO BE DISCLOSED OR REPRODUCED IN ANY MANNER WITHOUT THE WRITTEN CONSENT OF TECUMSEH. ANY REPRODUCTION OR DISSEMINATION OF THIS INFORMATION WITHOUT THE WRITTEN CONSENT OF TECUMSEH IS STRICTLY PROHIBITED. THIS DRAWING IS THE PROPERTY OF TECUMSEH AND IS TO BE RETURNED TO TECUMSEH AT THE TIME OF REQUEST FOR THIS DRAWING.</small> | | | | | | SCALE | NONE | | THIS PRINT SUPERSEDES ALL PRINTS PRIOR TO |
| <small>DO NOT SCALE THIS DRAWING. ALL DIMENSIONS ARE TO BE TAKEN FROM THE ORIGINAL DRAWING. THIS DRAWING IS TO BE MAGNETIZED AS RECEIVED OR AT THE DISCRETION OF THE ASSEMBLY.</small> | | | | | | | TECUMSEH PRODUCTS CO. TECUMSEH, MICHIGAN | | PART NO. |
| <small>INTERNAL USE ONLY</small> | | | | | | | MATERIAL _____ | | DETP4 |
| <small>P:\shinnon\tp-prod\tp-detp04.rel-c.prt</small> | | | | | | | | | |