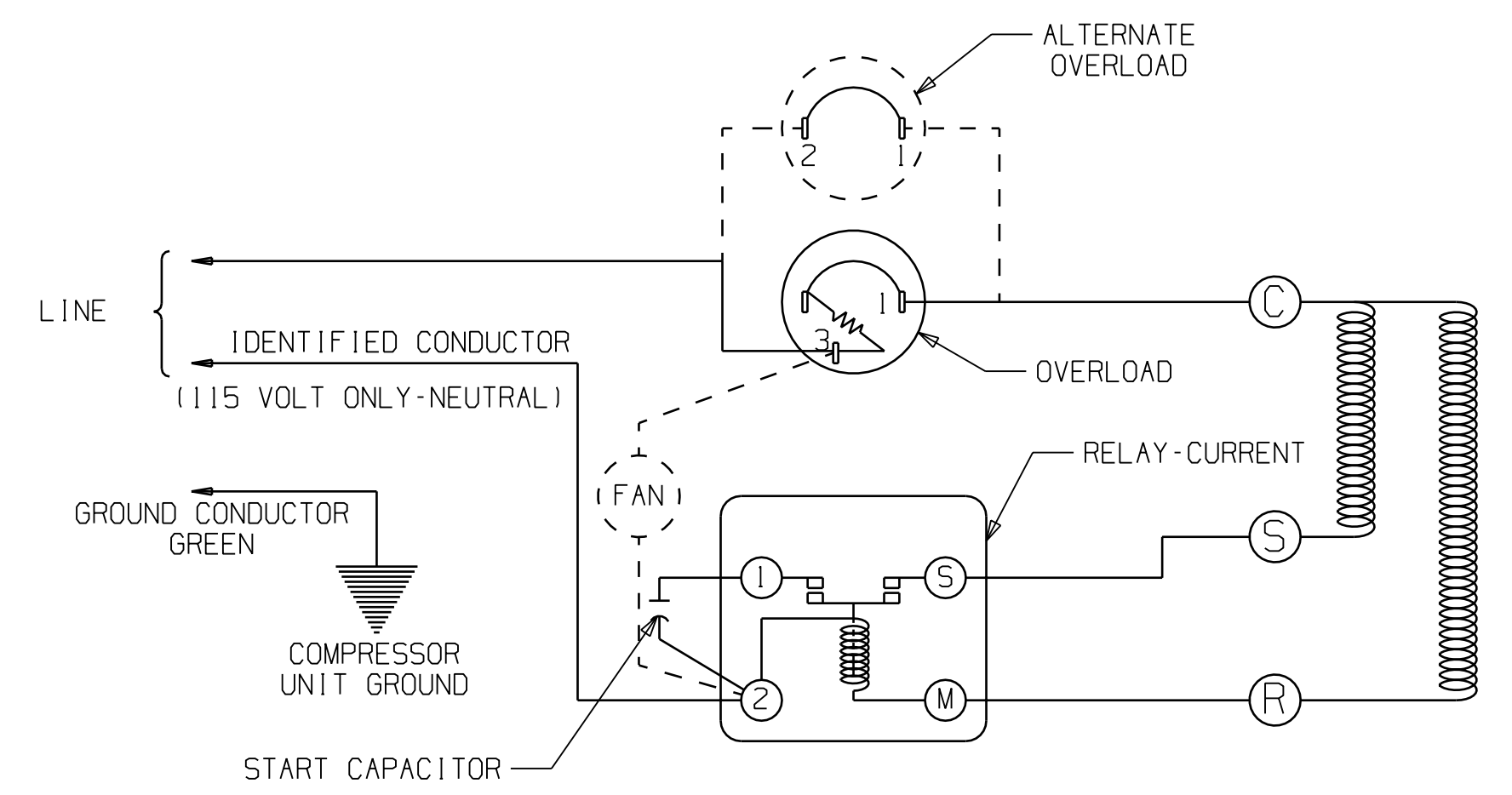
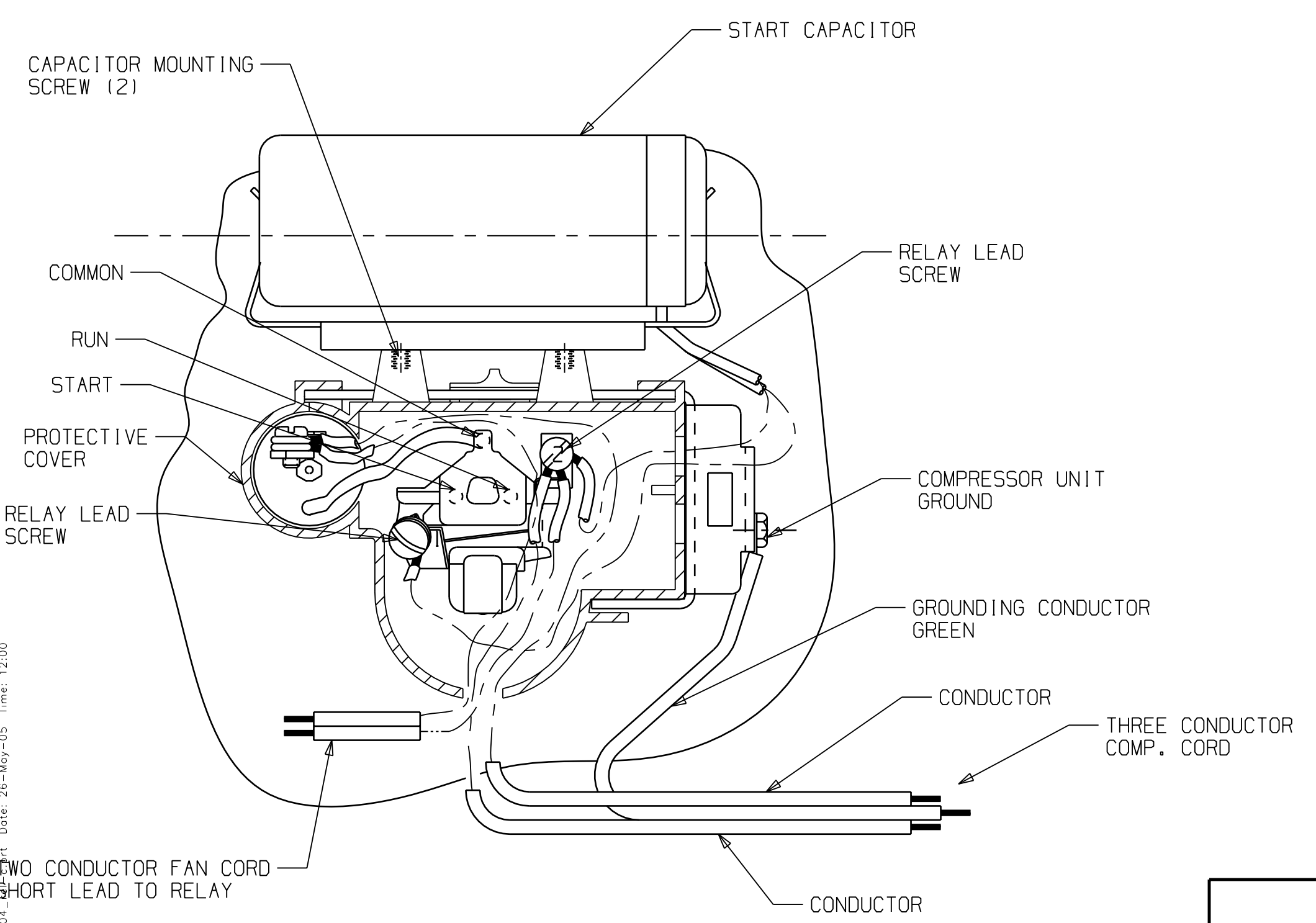


--NOTES--

1. WHEN FAN IS USED HOOK-UP AS SHOWN.
2. IDENTIFIED CONDUCTOR MAY BE WHITE OR RIBBED (115 VOLT ONLY-NEUTRAL).
3. ASSEMBLE PARTS AS SHOWN IF SPECIFIED ON B/M.

WARNING - WIRING DIAGRAM MUST BE FOLLOWED AS SHOWN. ANY MISWIRING CAN CAUSE SERIOUS ELECTRICAL HAZARD AND POTENTIAL DAMAGE OR RUPTURE OF COMPONENT ELECTRICAL PARTS.



115 OR 230 VOLT - SCHEMATIC WIRING DIAGRAM-CSIR
REF. DWG. MD-472-1

G.E. RELAY SHOWN (W/ FAN)

User: sluces Part/Rev: tp-detp04 Date: 26-May-05 Time: 12:00

REL		#237130-001		DATE	DIS. CODE	NAME		ELECTRICAL HOOK-UP	
LC	CHANGE	DATE	DATE	DATE	SCALE	NONE		THIS PRINT SUPERSEDES ALL PRINTS PRIOR TO	
<small>THIS DRAWING OR PRINT PREPARED BY THE COMPANY, TECUMSEH, AND CONTAINS INFORMATION BELONGING TO TECUMSEH. IT IS TO BE USED ONLY FOR THE SPECIFIC CONDITION FOR WHICH IT IS DESIGNED OR DISCLOSED THEREIN. NO OTHER USE OR REPRODUCTION IS PERMITTED WITHOUT THE WRITTEN CONSENT OF TECUMSEH. ANY REPRODUCTION OR USE OF THIS DRAWING OR PRINT WITHOUT THE WRITTEN CONSENT OF TECUMSEH SHALL BE AT THE USER'S RISK AND WITHOUT LIABILITY TO TECUMSEH. THIS DRAWING OR PRINT IS NOT TO BE COPIED OR REPRODUCED IN ANY MANNER WITHOUT THE WRITTEN CONSENT OF TECUMSEH. ANY REPRODUCTION OR USE OF THIS DRAWING OR PRINT WITHOUT THE WRITTEN CONSENT OF TECUMSEH SHALL BE AT THE USER'S RISK AND WITHOUT LIABILITY TO TECUMSEH.</small>						MATERIAL		PART NO.	
INTERNAL USE ONLY						TECUMSEH PRODUCTS CO.		DETP4	
P:\hinman\tp-prod\tp-detp04.rel-c.prt						TECUMSEH, MICHIGAN			