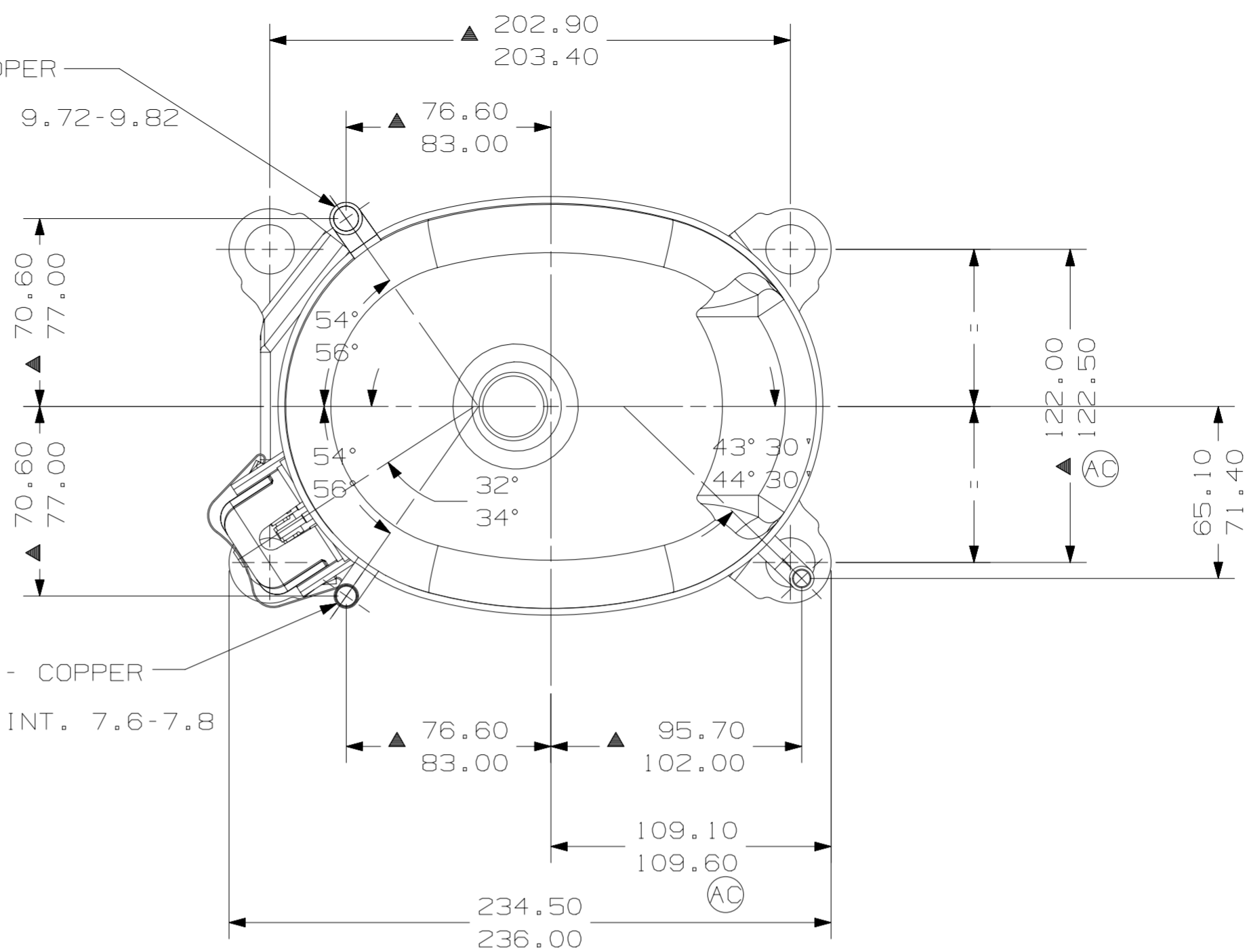
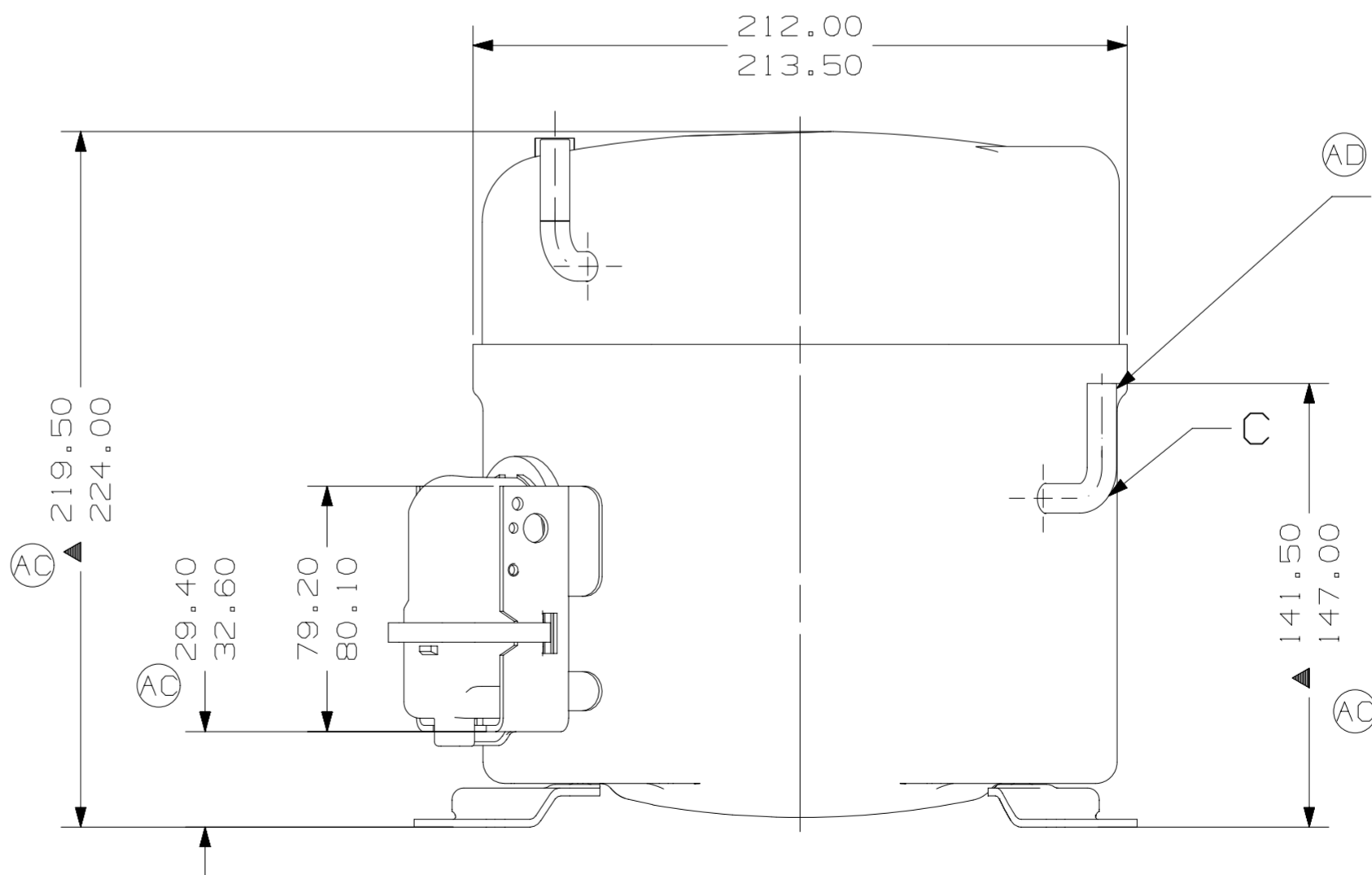


SUCTION CONNECTOR - COOPER
 Ø EXT. 12.65-12.75
 CALIBRATING THE Ø INT. 9.72-9.82



▲ PROCESS CONECTOR - COPPER
 Ø EXT. 9.5-9.6
 CALIBRATING THE Ø INT. 7.6-7.8

| ITEM | PART NUMBER |
|------|-------------|
| A | BRT11 |
| B | BRCCC111 |
| C | BR34525 |
| D | 34368-1 |
| E | 34439 |



▲ DISCHARGER CONNECTOR - COOPER
 Ø EXT. 9.5-9.6
 CALIBRATING THE Ø INT. 6.4-6.6

NOTES: (AC)

- 1- IF SPECIFIED ON BILL OF MATERIAL ASSEMBLE THE COMPONENTS AS SHOW.
- 2- SEE COMPONENT DRAWINGS FOR DIMENTIONS NOT SHOW.
- 3- MUST COMPLY WITH TECUMSEH GLOBAL ESPEC-8.

| | |
|------------------------------------|----------------------------------|
| EC110188 11-08-2013 GMF | EC104863 13-04-22 GMF, R6. |
| AD C2 | AC |
| ALT. DESCRICAO CON. DE PROCESSO | NOTAS ATUALIZADAS |
| B8 | B5 |
| B5 | B5 |
| B5 | B5 |
| D3 | D2 |
| E2 | E2 |
| F7 | F7 |
| D7 | D7 |
| -- | -- |
| REDESENHADO TOTALMENTE | |
| LT | LC |
| CHANGE | DATE |

THIS DRAWING OR PRINT (1) IS THE PROPERTY OF TECUMSEH DO BRASIL LTDA. AND CONTAINS PROPRIETARY AND CONFIDENTIAL INFORMATION BELONGING TO TECUMSEH DO BRASIL LTDA. NO PART OF THIS DRAWING OR PRINT IS TO BE REPRODUCED, COPIED, OR TRANSMITTED IN ANY FORM OR BY ANY MEANS, WITHOUT THE WRITTEN CONSENT OF TECUMSEH DO BRASIL AND WITHOUT THE WRITTEN CONSENT OF THE RECIPIENT LATER'S REQUEST PROMPTLY AFTER SUCH REQUEST IS MADE.

DO NOT SCALE THIS DRAWING. ALL FERROUS MATERIALS MUST NOT BE MAGNETIZED AS RECEIVED OR AT COMPRESSION.

THIRD ANGLE PROJECTION

UNITS: mm

DRAWING SIZE: A2

0. A. SYMBOLS AS PROCEDURE 2.01.031 TECUMSEH OF BRAZIL

★ = CATEGORY I
 ▲ = CATEGORY II
 ■ = CATEGORY III
 □ = CATEGORY IV

SALES COMPRESSOR

BRDCAK111

SCALE: 1:2

PAGE: 1/1

DATE: 13-04-22

REF.

FAMILY: AK