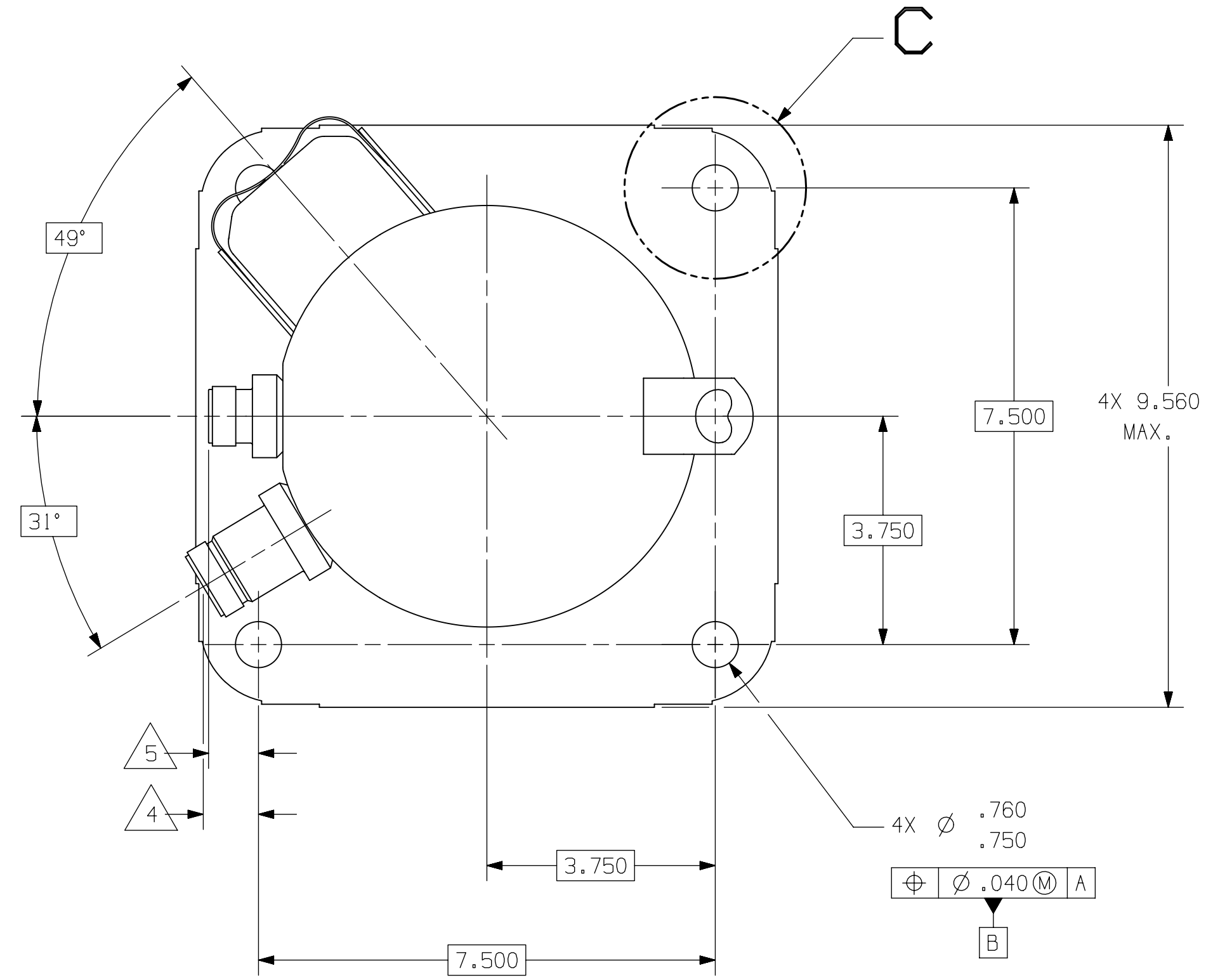
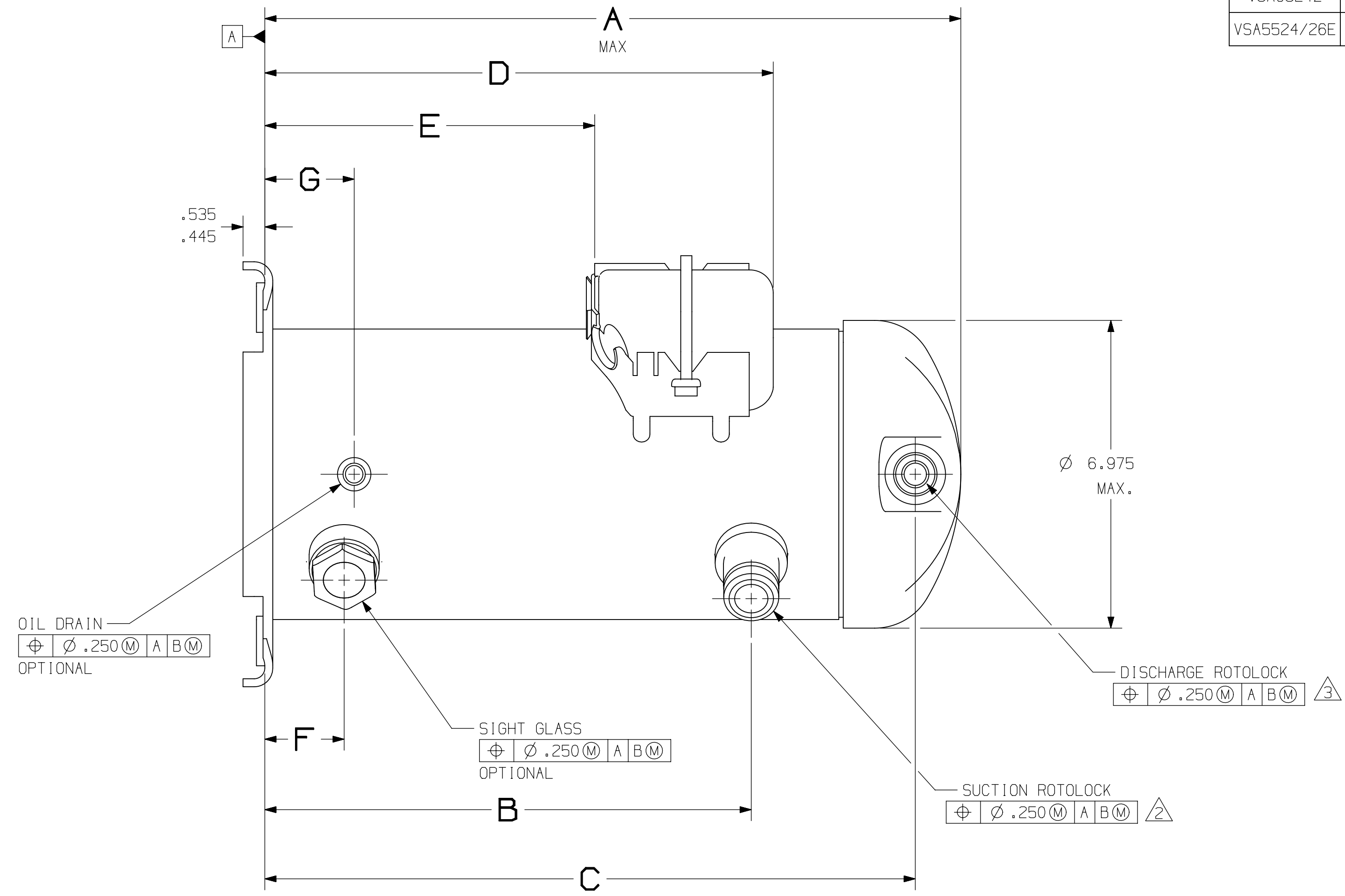
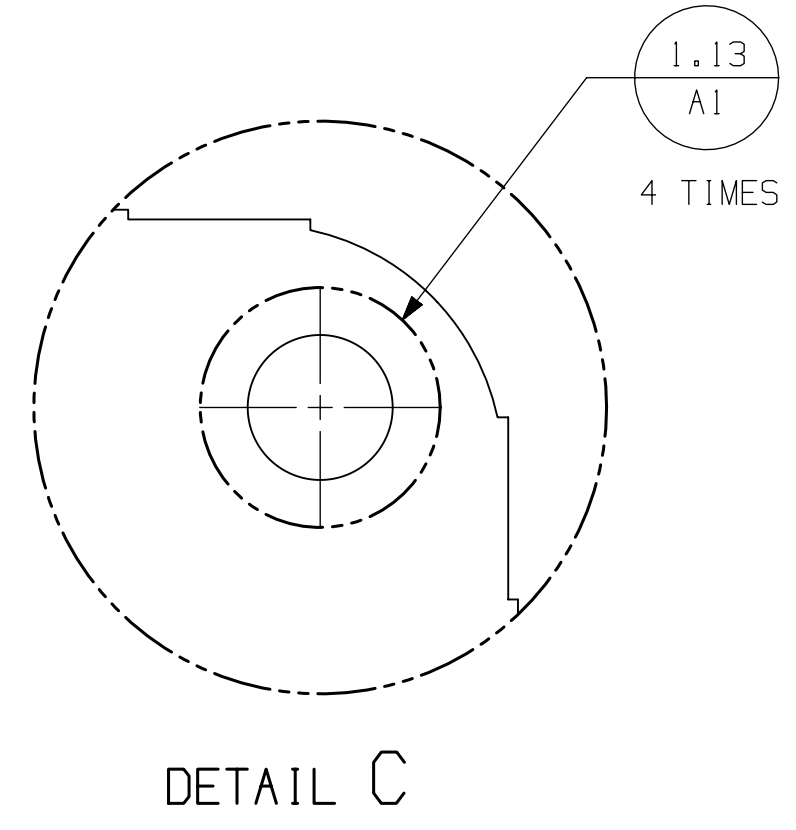


MODEL	VOLTAGE CODE	A MAX	B	C	D	E	F	G
VSA9490Z	XT / XG	14.250	9.641	13.330	110.136	6.120	1.705	1.930
VSA9490Z	NA	15.433	10.410	14.410	111.216	7.200	1.785	2.010
VSA9510Z	XT / XG	14.250	9.641	13.330	110.136	6.120	1.705	1.930
VSA9510Z	NA / XC	15.433	10.410	14.410	111.216	7.200	1.785	2.010
VSA9512Z	XT / XG	14.250	9.641	13.330	110.136	6.120	1.705	1.930
VSA9512Z	NA / XC	15.433	10.410	14.410	111.216	7.200	1.785	2.010
VSA9514Z	XT / XG	14.250	9.641	13.330	110.136	6.120	1.705	1.930
VSA9514Z	XC	15.433	10.410	14.410	111.216	7.200	1.785	2.010
VSA9514Z	NA	15.650	10.941	14.631	111.436	7.420	1.785	2.010
VSA9517Z	XG / XT / XC	15.433	10.410	14.410	111.216	7.200	1.785	2.010
VSA9517Z	NA	15.650	10.941	14.631	111.436	7.420	1.785	2.010
VSA9521Z	XT / XG / XC	15.433	10.410	14.410	111.216	7.200	1.785	2.010
VSA9521Z	NA	15.650	10.941	14.631	111.436	7.420	1.785	2.010
VSA9524Z	XT / TB / XG	15.650	10.941	14.631	111.436	7.420	1.785	2.010
VSA5524/26E	NA	15.650	10.941	14.631	111.436	7.420	NA	NA



- NOTES:
- DIMENSIONS TOL ±.06 UNLESS OTHERWISE SPECIFIED.
 - SUCTION ROTOLock STEEL (I.D. .760-.740) 1-1/4"-12 UNF 2A THREAD.
 - DISCHARGE ROTOLock STEEL (I.D. .505-.495) 1"-14 UNF 2A THREAD.
 - SUCTION ROTOLock = 0.967-0.847
 - DISCHARGE ROTOLock = 0.880-0.760
 - COMPRESSOR OPENINGS MUST BE PLUGGED.
 - MUST COMPLY WITH T.C.Co. GLOBAL SPEC 08.

ENGLISH

Q.A. SYMBOLS

- ★ = CATEGORY I
- ▲ = CATEGORY II
- = CATEGORY III
- ◼ = CATEGORY IV

EC35049 ADDED CHART AND SHEET 12/10/12	EC25302 ADDED GLOBAL UPDATED BY S.G.OWEN "A" AND "F" 08/JUN/09	EC21448 ADDED VOLTAGE TO VSA9517Z ADDED MODEL VSA9514Z	EC19392 ADDED VOLTAGE CODE "XG" TO VSA9521Z	EC19392 ADDED VOLTAGE CODE "XG" TO VSA9514Z	EC18207 UPDATED WITH NEW PARTS	EC09587 DATE	DIS.CODE	NAME	SCALE	THIS PRINT SUPERSEDES ALL PRINTS PRIOR TO
								SALES COMPRESSOR	1:12	DRAWING NO.
								TECOMET PRODUCTS CO. TECUMSEH, MICHIGAN		DCVS003
								NOTED		